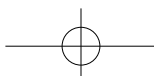
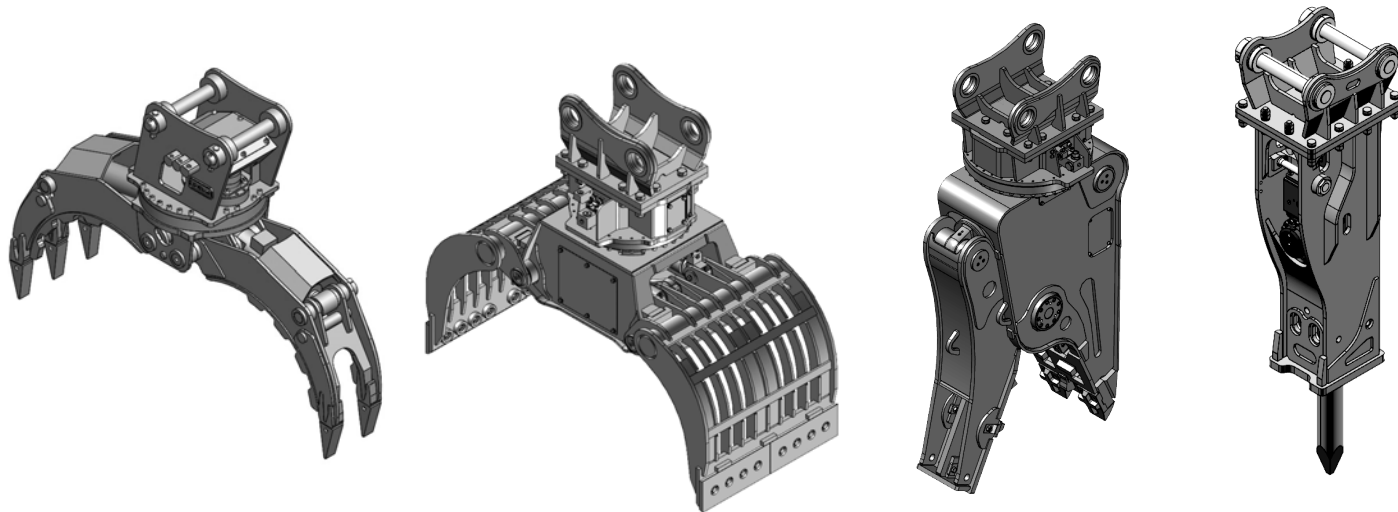
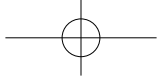


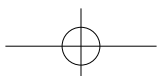
DEVELON

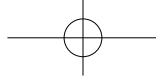
Attachment Sales Reference Book





Attachment Sales Reference Book





INTRODUCTION

This Catalogue has been created and developed in order to introduce the wide ranging Develon attachments line-up and support the Develon dealers.

This catalogue gives you all the General Information, Technical Specifications, Carrier Compatibilities and Required option kits that dealers and customers would need to select right attachments for required application.

*Information is valid till further notice. Develon reserves the right to modify attachments without prior notification. Please contact your district sales manager for any inquiries and suggestions.

DEVELON ATTACHMENTS WITH 6 GOOD REASONS

ONE-STOP SHOP

One place for complete solutions :
(carrier + attachments + parts + service)

QUALITY

Products manufactured with the highest level of standards

ENGINEERING APPROVED

Optimized for Develon equipment high efficiency and performance, resulting in lower running and maintenance cost.

WARRANTY

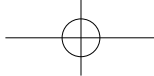
Avoid compatibility issues and operation differences from using non-approved attachment

SERVICE

Broad coverage via the Develon service network, fully supported by Develon product specialist

PLUS & PLAY READINESS

Easy to install and operate.



Contents Table

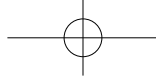
Excavator attachments

EXCAVATION

- EGP Series Bucket
- EHD Series Bucket
- ESD Series Bucket
- EHD+ Series Bucket
- ESD+ Series Bucket
- EXD Series Bucket
- RP Series Ripper
- RP-II Series Ripper

DEMOLITION

- HB-K Series Hydraulic Breaker
- HB-C Series Hydraulic Breaker
- XB Series Hydraulic Breaker
- FP Series Pulverizer
- MP Series Multi Processor
- RC Series Rotating Crusher
- PC Series Plate compactor
- VR Series Vibro Ripper



Wheel loader attachments (DL)

METERIAL HANDLING

- HT Series Hydraulic Thumb
- OG Series Orange Grapple
- SG Series Stone grapple
- WG Series Wood Grapple
- ELG Series Log Grapple
- CB Series Clamshell bucket
- MG Series Multi Grapple

EXCAVATION

- WGP Series Gernerall Purpose Bucket
- WLM Series Light Material Bucket
- WVR Series Rock Bucket

CONNECTION

- WQC Series Quick Coupler

METERIAL HANDLING

- WPF Series Pallet Fork
- WMH Series Material handling Arm
- WLG Series Grapple

Wheel loader attachments (SD)

CONNECTION

- EQC-S Series Coupler
- EQC-D Series Coupler

EXCAVATION

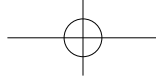
- WGP Series Gernerall Purpose Bucket
- WVR Series Rock Bucket

CONNECTION

- WQC Series Quick Coupler

METERIAL HANDLING

- WPF Series Pallet Fork
- WMH Series Material handling Arm
- WLG Series Grapple



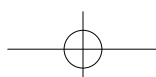
Excavator Attachments

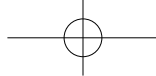
● EXCAVATION

● DEMOLITION

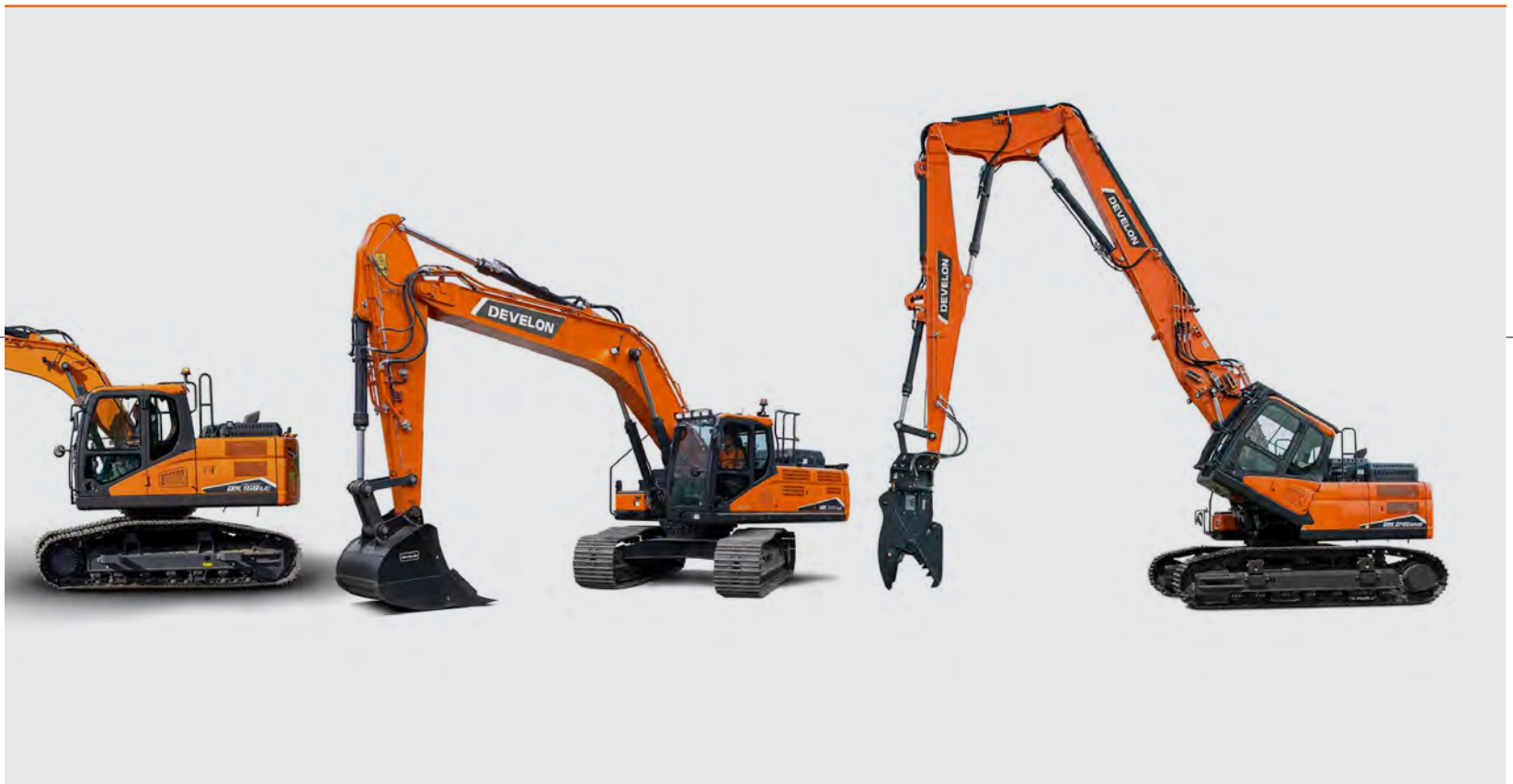
● CONNECTION

● METEIRAL HANDLING

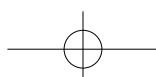




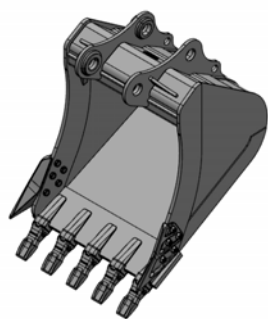
DEVELON



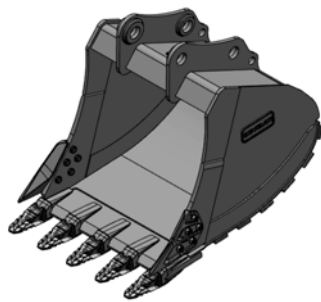
Develon's portfolio of attachments is designed to work in all types of working application. The new range of Develon attachments which is offered, is developed based on customer's requirements and satisfaction criteria through worldwide market feedback. Develon attachments line-up consists of Excavation, Demolition, Connection and Material handling.



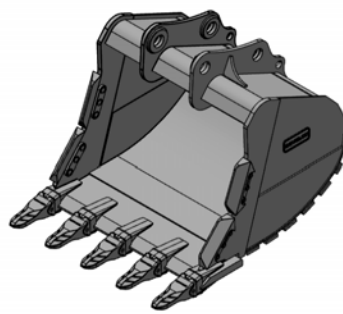
Excavation Attachment



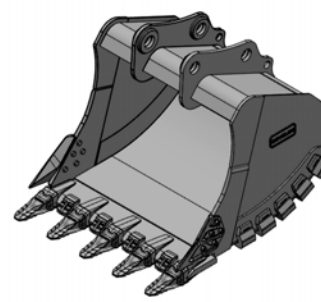
01 EGP Series Bucket



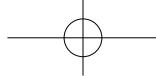
02 EHD Series Bucket



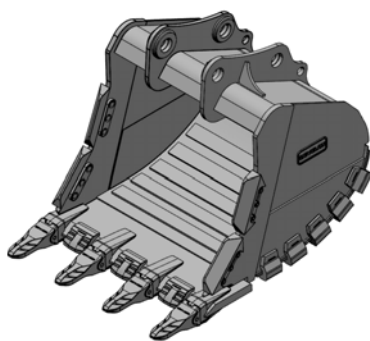
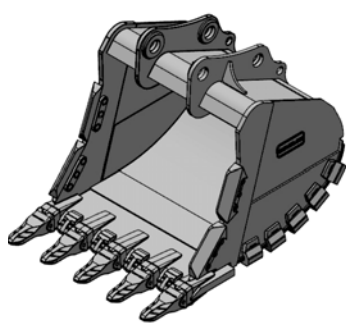
03 ESD Series Bucket



04 EHD+ Series Bucket



DEVELON

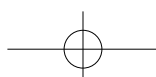


05 ESD+ Series Bucket

06 EXD Series Bucket

07 RP Series Ripper

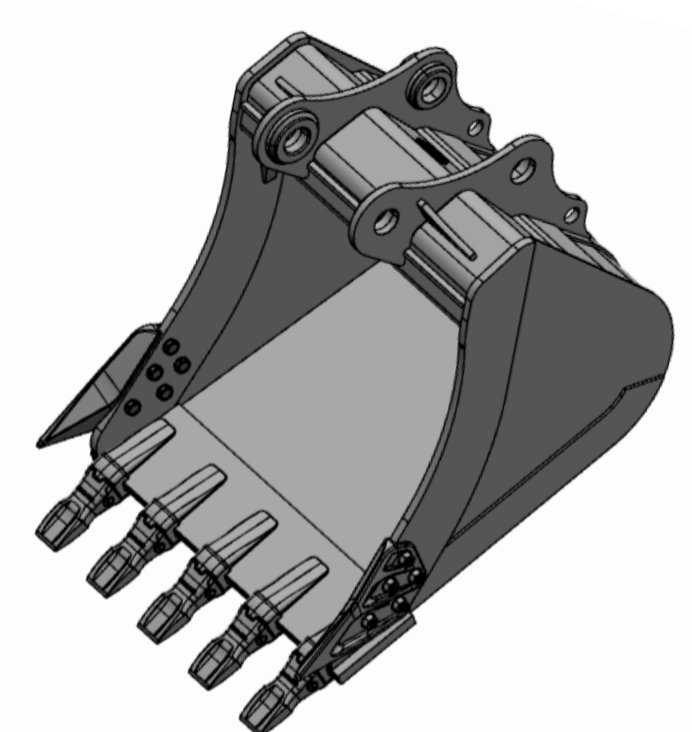
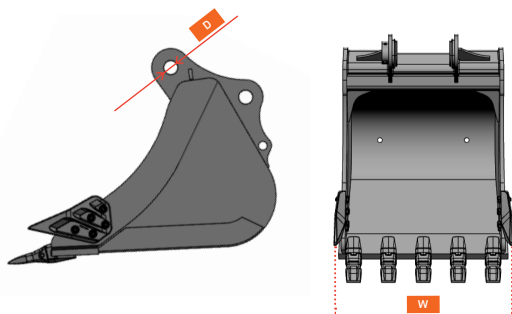
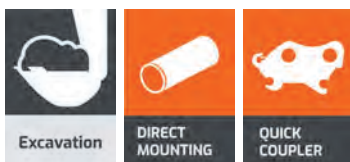
08 RP-II Series Ripper



Excavation Attachment

EGP Series Bucket (General Purpose)

EGP Series is designed for digging and re-handling soft to medium-hard material, such as top-sould, loam, coal etc.



GD (GENERAL DUTY) TOOTH

Optimized design for Develon's GP and the new General Construction bucket. Suitable for machines weighing from 14 to 70 tons. Recommended for diverse general construction and utility loading applications.



KEY CHARACTERISTICS



1. Designed to maintain a uniform wear pattern throughout its entire lifespan

2. Highly suitable for ground leveling

Better digging action due to the application of grooves on both sides

Ideal for clean-out/utility work

FEATURE & BENEFITS

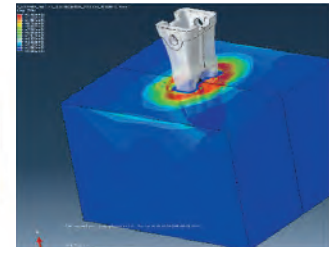
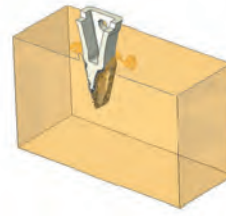
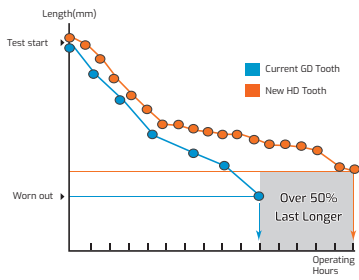
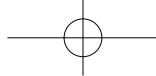
- High Strength Steels are applied for durability.
- Flat Bottom shape for multi-purpose applications such as damping, leveling, etc
- Adoption of side cutter for better penetration and protection.
- Optimized design with Develon genuine GD Tooth for general construction and utility loading applications.
- High-grade material composition for superior durability

TECHNICAL SPECIFICATIONS

Model	Apply Machine	Parts Number	Mount Type	Capacity [m ³]	Weight [kg]	Width W [mm]	Pin Size D [Φ]	GET Type	
EGP02-0300	DX19	270101-00015	DM	0.028	48	320	30	Tooth&adapter	
EGP02-0500		270101-00016	DM	0.042	62	470	30	Tooth&adapter	
EGP02-0500		230104-03032B	DM	0.05	54	511	30	Tooth&adapter	
EDT02-1000		270104-00021	DM	0.15	94	1,000	30	Cutting Edge	
EGP03-0300	DX27	270101-00004	DM	0.053	67.1	355	35	Tooth&adapter	
EGP03-0400		230104-04284A	DM	0.06	49.8	398	35	Tooth	
EGP03-0500		230104-00837A	DM	0.08	57.5	474	35	Tooth	
EGP03-0500	DX27-7M	270101-00005	DM	0.083	82.3	505	35	Tooth&adapter	
EGP03-0700		270101-00006	DM	0.110	98.1	655	35	Tooth&adapter	
EDT03-1000		270104-00022	DM	0.155	101	1,000	35	Cutting Edge	
EGP04-0300	DX30	270101-00020	DM	0.058	69.9	355	40	Tooth&adapter	
EGP04-0400		230104-01755	DM	0.09	83	506	40	Tooth	
EGP04-0500	DX35-7M	270101-00021	DM	0.089	86.5	505	40	Tooth&adapter	
EGP04-0500		230104-01758	DM	0.11	90.5	576	40	Tooth	
EGP04-0600		270101-00022	DM	0.119	102.9	655	40	Tooth&adapter	
EDT03-1200		270104-00023	DM	0.264	147	1,200	40	Cutting Edge	
EGP05-0300	DX53	270101-00010	DM	0.071	95	355	45	Tooth&adapter	
EGP05-0300		230104-02066	DM	0.07	97.2	336	45	Tooth&adapter	
EGP05-0300		230104-02041B	DM	0.07	94	362	45	Tooth&adapter	
EGP05-0300		230104-01769A	DM	0.09	96.2	362	45	Tooth&adapter	
EGP05-0500		270101-00011	DM	0.110	118	505	45	Tooth&adapter	
EGP05-0600		DX50-7M	270101-00012	DM	0.150	140	655	45	Tooth&adapter
EGP05-0700			230104-00011B	DM	0.18	139.7	724	45	Tooth&adapter
EGP05-0700		DX55-7M	230104-02068	DM	0.18	146	678	45	Tooth&adapter
EGP05-0700			230104-00049B	DM	0.18	141	724	45	Tooth&adapter
EGP05-0800		DX63	230104-01771A	DM	0.19	149.3	784	45	Tooth&adapter
EGP05-0700	230104-02070		DM	0.19	151	724	45	Tooth&adapter	
EGP05-0700	230104-01851A		DM	0.21	154	724	45	Tooth&adapter	
EGP05-0900		270101-00013	DM	0.237	182	950	45	Tooth&adapter	
EDT05-1200		270104-00018	DM	0.328	217	1,200	45	Cutting Edge	
EGP08-400	DX80	270101-00027	DM	0.124	173	400	45	Tooth&adapter	
EGP08-500		270101-00028	DM	0.163	198	550	45	Tooth&adapter	
EGP08-0600		230104-01773	DM	0.2	202	646	45	Tooth&adapter	
EGP08-0600		230104-02072	DM	0.2	200	572	45	Tooth&adapter	
EGP08-700		DX85-7	270101-00029	DM	0.221	229	700	45	Tooth&adapter
EGP08-0700			230104-02074	DM	0.28	238	746	45	Tooth&adapter
EGP08-0800			230104-00051A	DM	0.28	235	813	45	Tooth&adapter
EDT08-1500			270104-00025	DM	0.645	448	1,500	45	Cutting Edge

TECHNICAL SPECIFICATIONS

Model	Apply Machine	Parts Number	Mount Type	Capacity [m ³]	Weight [kg]	Width W [mm]	Pin Size D [Φ]	GET Type
EGP14-0500	DX138 DX140 DX160	230104-01196C	DM	0.24	277	540	65	Tooth&adapter
EGP14-0800		230104-01198C	DM	0.39	343	825	65	Tooth&adapter
EGP14-0900		230104-01194C	DM	0.45	382	911	65	Tooth&adapter
EGP14-1000		230104-01200C	DM	0.51	393	996	65	Tooth&adapter
EGP14-1100		230104-01192C	DM	0.59	414	1,086	65	Tooth&adapter
EGP14-1200		230104-01202C	DM	0.64	437	1,172	65	Tooth&adapter
EGP14-1300		230104-01204C	DM	0.76	486	1,344	65	Tooth&adapter
EGP14-1500		230104-01776B	DM	0.45	357	1,500	65	Tooth
EGP14-1800		230104-01778B	DM	0.54	403	1,800	65	Tooth
EDT14-1500		230104-01776B	DM	0.45	357	1,500	65	Tooth
EDT14-1800		230104-01778B	DM	0.54	403	1,800	65	Tooth
EGP18-0600		DX180 DX190	230104-01225B	DM	0.38	430	646	80
EGP18-0800	230104-01227B		DM	0.45	454	780	80	Tooth&adapter
EGP18-0900	230104-01229B		DM	0.57	517	918	80	Tooth&adapter
EGP18-1000	230104-01219B		DM	0.7	566	1,068	80	Tooth&adapter
EGP18-1100	230104-01221B		DM	0.76	598	1,133	80	Tooth&adapter
EGP18-1200	230104-01223B		DM	0.8	614	1,177	80	Tooth&adapter
EGP18-1300	230104-01231B		DM	0.93	662	1,321	80	Tooth&adapter
EGP22-0700	DX200 DX200-7M DX210 DX220 DX220-7M DX225 DX225-7M DX235 DX240 DX260	230104-01249E	DM	0.51	549	768	80	Tooth&adapter
EGP22-1000		230104-01251E	DM	0.81	684	1,124	80	Tooth&adapter
EGP22-1100		230104-01290C	DM	0.86	696	1,170	80	Tooth&adapter
EGP22-1200		230104-01245E	DM	0.92	724	1,232	80	Tooth&adapter
EGP22-1300		230104-01253E	DM	1.05	776	1,369	80	Tooth&adapter
EGP22-1300		230104-01279C	DM	1.1	852	1,367	80	Tooth&adapter
EGP22-1400		230104-01255E	DM	1.17	835	1,490	80	Tooth&adapter
EGP22-1500		230104-01257E	DM	1.28	873	1,601	80	Tooth&adapter
EGP22-1600		230104-01288C	DM	1.4	993	1,658	80	Tooth&adapter
EGP30-1000		DX300 DX300-7M DX320-7M	230104-00586C	DM	0.8	863	1,032	90
EGP30-1200	230104-00589C		DM	1.03	987	1,242	90	Tooth&adapter
EGP30-1300	230104-00580C		DM	1.27	1,094	1,442	90	Tooth&adapter
EGP30-1500	230104-00592C		DM	1.5	1,217	1,652	90	Tooth&adapter
EGP30-1800	230104-00595C		DM	1.75	1,319	1,862	90	Tooth&adapter
EGP36-1200	DX340, DX360 DX360-7M DX380 DX400-7M	230104-00619C	DM	1.25	1,262	1,273	100	Tooth&adapter
EGP36-1400		230104-00616C	DM	1.49	1,369	1,455	100	Tooth&adapter
EGP36-1500		230104-00622C	DM	1.61	1,430	1,545	100	Tooth&adapter
EGP36-1600		230104-00625C	DM	1.83	1,554	1,713	100	Tooth&adapter
EGP45-1300	DX420 DX450-7M	230104-00858B	DM	1.44	1,439	1,273	110	Tooth&adapter
EGP45-1400		230104-00861B	DM	1.68	1,541	1,429	110	Tooth&adapter
EGP45-1500		230104-00852B	DM	1.9	1,654	1,547	110	Tooth&adapter
EGP45-1700		230104-00864B	DM	2.16	1,782	1,745	110	Tooth&adapter
EGP53-1400	DX480, DX490 DX490-7M DX500, DX520 DX530 DX530-7M DX550	230104-00847B	DM	1.8	1,742	1,455	110	Tooth&adapter
EGP53-1600		230104-00833B	DM	2.14	1,937	1,663	120	Tooth&adapter
EGP53-1800		230104-00845B	DM	2.39	2,049	1,819	120	Tooth&adapter
EGP53-2100		230104-00849B	DM	2.86	2,300	2,111	120	Tooth&adapter



INCREASED LIFE SPAN

- | Durability has been increased by 50% compared with the previous model by modifying its shape and mechanical properties.
- | Robust design and high-strength quality castings.
- | Appropriate steel alloys ensure strength, toughness, and resistance to wear and corrosion.
- | High abrasion resistant material for extra durability (HD/SD).

INCREASED LIFE SPAN

- | Self-sharpening tooth - The new HD/S tooth sharpens itself as it wears due to its unique design, delivering improved penetrative power.
- | Reduced digging force and enhanced penetration due to optimum body shape and angle in simulation.

TECHNICAL SPECIFICATIONS

Model	Apply Machine	Parts Number	Mount Type	Capacity [m ³]	Weight [kg]	Width W [mm]	Pin Size D [Φ]	GET Type
EHD14-0600	DX138 DX140 DX160	230104-02545B	DM	0.31	391	642	65	Tooth&adapter
EHD14-0800		230104-02547B	DM	0.42	437	792	65	Tooth&adapter
EHD14-0900		230104-02549B	DM	0.52	493	942	65	Tooth&adapter
EHD14-1000		230104-02466B	DM	0.6	523	1,042	65	Tooth&adapter
EHD14-1100		230104-02551B	DM	0.67	554	1,142	65	Tooth&adapter
EHD14-1200		230104-02553B	DM	0.74	595	1,242	65	Tooth&adapter
EHD18-0600	DX180 DX190	230104-02510	DM	0.51	597	791	80	Tooth&adapter
EHD18-0900		230104-02512	DM	0.65	674	950	80	Tooth&adapter
EHD18-1000		230104-02514	DM	0.78	735	1,092	80	Tooth&adapter
EHD18-1100		230104-02516	DM	0.82	755	1,142	80	Tooth&adapter
EHD18-1200		230104-02462	DM	0.91	795	1,242	80	Tooth&adapter
EHD22-0700	DX200 DX200-7M DX210 DX220 DX220-7M DX225 DX225-7M DX235 DX240 DX260	230104-02283C	DM	0.6	699	796	80	Tooth&adapter
EHD22-0900		230104-02285C	DM	0.76	768	946	80	Tooth&adapter
EHD22-0800		230104-02272C	DM	0.92	855	1,096	80	Tooth&adapter
EHD22-1200		230104-04162A	DM	0.92	740	1,264	80	Tooth&adapter
EHD22-1200		230104-02287C	DM	1.08	923	1,246	80	Tooth&adapter
EHD22-1300		230104-04572	DM	1.05	787	1,397	80	Tooth&adapter
EHD22-1300		230104-02289C	DM	1.24	992	1,396	80	Tooth&adapter
EHD22-1500		230104-04065	DM	1.17	848	1,519	80	Tooth&adapter
EHD22-1500		230104-02291C	DM	1.35	1,056	1,496	80	Tooth&adapter
EHD22-1500		230104-02296C	DM	1.4	1,078	1,546	80	Tooth&adapter
EHD22-1600	230104-02295C	DM	1.51	1,124	1,646	80	Tooth&adapter	

TECHNICAL SPECIFICATIONS

Model	Apply Machine	Parts Number	Mount Type	Capacity [m3]	Weight [kg]	Width W [mm]	Pin Size D [Φ]	GET Type
EHD30-1100	DX300 DX300-7M DX320-7M	230104-02269B	DM	1.04	1,011	1,108	90	Tooth&adapter
EHD30-1200		230104-02274B	DM	1.23	1,088	1,258	90	Tooth&adapter
EHD30-1400		230104-02264B	DM	1.47	1,190	1,458	90	Tooth&adapter
EHD30-1500		230104-02277B	DM	1.6	1,241	1,558	90	Tooth&adapter
EHD30-1600		230104-02279B	DM	1.72	1,313	1,658	90	Tooth&adapter
EHD30-1600		230104-02708	DM	1.51	1,234	1,661	90	Tooth&adapter
EHD36-1200	DX340, DX360 DX360-7M DX380 DX400-7M	230104-02497B	DM	1.44	1,413	1,272	100	Tooth&adapter
EHD36-1300		230104-00628E	DM	1.28	1,439	1,382	100	Tooth&adapter
EHD36-1400		230104-02499B	DM	1.66	1,516	1,428	100	Tooth&adapter
EHD36-1500		230104-02453B	DM	1.81	1,616	1,534	100	Tooth&adapter
EHD36-1600		230104-02501B	DM	2.03	1,713	1,684	100	Tooth&adapter
EHD36-1800		230104-02503B	DM	2.32	1,849	1,892	100	Tooth&adapter
EHD45-1300	DX420 DX450-7M	230104-02491B	DM	1.64	1,601	1,290	110	Tooth&adapter
EHD45-1400		230104-02436B	DM	1.92	1,729	1,464	110	Tooth&adapter
EHD45-1600		230104-02493B	DM	2.14	1,860	1,600	110	Tooth&adapter
EHD45-1700		230104-04299	DM	2.42	1,985	1,772	110	Tooth&adapter
EHD45-1800		230104-02495	DM	2.47	1,951	1,804	110	Tooth&adapter
EHD45-2000		230104-04292	DM	2.72	2,154	1,960	110	Tooth&adapter
EHD53-1200	DX480 DX490 DX490-7M DX500 DX520 DX530 DX530-7M DX550	230104-02305B	DM	1.8	1,867	1,266	120	Tooth&adapter
EHD53-1400		230104-02306B	DM	2.07	1,979	1,416	120	Tooth&adapter
EHD53-1500		230104-02307B	DM	2.35	2,151	1,566	120	Tooth&adapter
EHD53-1700		230104-04288	DM	2.6	2,260	1,700	120	Tooth&adapter
EHD53-1800		230104-02266B	DM	2.72	2,314	1,766	120	Tooth&adapter
EHD53-1900		230104-02308B	DM	2.91	2,445	1,866	120	Tooth&adapter
EHD53-2000		230104-02309B	DM	3.28	2,608	2,066	120	Tooth&adapter
EHD53-2100		230104-04290	DM	3.6	2,710	2,096	120	Tooth&adapter
EHD53-2200		230104-04463	DM	3.8	2,826	2,196	120	Tooth&adapter
EHD80-2000		DX650 DX700 DX800	230104-04247	DM	4.2	3,011	2,002	140
EHD80-1900	230104-02611A		DM	4.64	3,953	1,920	140	Tooth&adapter
EHD80-1700	230104-02640A		DM	3.42	3,412	1,720	140	Tooth&adapter
EHD80-1800	230104-02665B		DM	3.68	3,518	1,820	140	Tooth&adapter
EHD80-1700	230104-02667A		DM	4.05	3,727	1,720	140	Tooth&adapter
EHD80-1900	230104-02669B		DM	4.43	3,874	1,850	140	Tooth&adapter
EHD80-2100	230104-04522		DM	4.5	3,171	2,126	140	Tooth&adapter
EHD80-2200	230104-03760B		DM	5.24	4,146	2,226	140	Tooth&adapter
EHD80-2300	230104-03752B		DM	5.58	4,288	2,350	140	Tooth&adapter

TECHNICAL SPECIFICATIONS

Model	Apply Machine	Parts Number	Mount Type	Capacity [m ³]	Weight [kg]	Width W [mm]	Pin Size D [Φ]	GET Type
ESD22-1100	DX200, DX200-7M DX210, DX220 DX220-7M, DX225 DX225-7M, DX235 DX240, DX260	230104-02468C	DM	0.91	1,048	1,094	80	Tooth&adapter
ESD22-1150		230104-02474C	DM	1.07	1,155	1,244	80	Tooth&adapter
ESD22-1200		230104-02476C	DM	1.23	1,237	1,394	80	Tooth&adapter
ESD30-1200	DX300 DX300-7M DX320-7M	230104-02470C	DM	1.2	1,374	1,242	90	Tooth&adapter
ESD30-1500		230104-02478C	DM	1.45	1,497	1,442	90	Tooth&adapter
ESD30-1600		230104-02480C	DM	1.57	1,559	1,542	90	Tooth&adapter
ESD30-1700		230104-04188	DM	1.6	1,482	1,721	90	Tooth&adapter
ESD36-1300	DX340 DX360 DX360-7M DX380 DX400-7M	230104-02505C	DM	1.56	1,869	1,352	100	Tooth&adapter
ESD36-1400		230104-02569C	DM	1.71	1,951	1,452	100	Tooth&adapter
ESD36-1600		230104-02571C	DM	1.92	2,073	1,602	100	Tooth&adapter
ESD36-1800		230104-02573C	DM	2.22	2,291	1,809	100	Tooth&adapter
ESD36-1900		230104-05571	DM	2.32	2,346	1,879	100	Tooth&adapter
ESD45-1300	DX420 DX450-7M	230104-02507C	DM	1.77	2,128	1,364	110	Tooth&adapter
ESD45-1500		230104-02604C	DM	2.02	2,266	1,518	110	Tooth&adapter
ESD53-1400	DX480 DX490 DX490-7M DX500 DX520 DX530 DX530-7M DX550	230104-02472C	DM	1.94	2,251	1,350	120	Tooth&adapter
ESD53-1500		230104-02482C	DM	2.22	2,394	1,500	120	Tooth&adapter
ESD53-1700		230104-02484C	DM	2.59	2,585	1,700	120	Tooth&adapter
ESD53-1800		230104-02486C	DM	2.78	2,730	1,800	120	Tooth&adapter
ESD53-2000		230104-02488C	DM	3.15	2,921	2,000	120	Tooth&adapter
ESD80-1600	DX650 DX700 DX800	230104-02673A	DM	3.75	4,084	1,620	140	Tooth&adapter
ESD80-1700		230104-02675A	DM	4.05	4,207	1,720	140	Tooth&adapter
ESD80-1900		230104-02663A	DM	4.64	4,535	1,920	140	Tooth&adapter
ESD80-2200		230104-05705	DM	5.24	4,672	2,226	140	Tooth&adapter
ESD80-2400		230104-03846A	DM	5.58	4,828	2,350	140	Tooth&adapter
ESD100-2000	DX1000	230104-04325C	DM	5.4	5,278	2,040	150	Tooth&adapter
ESD100-2400		230104-03946E	DM	6.8	5,794	2,420	150	Tooth&adapter

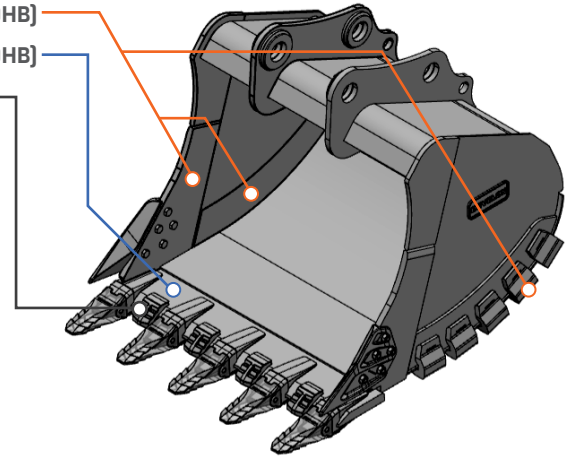
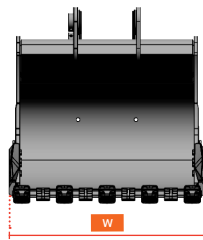
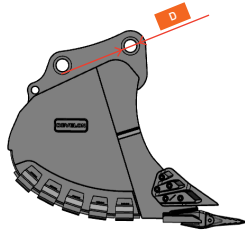
Excavation Attachment

EHD+ Series Bucket (Heavy Duty Plus)

EHD+ Series significantly increase its durability of compared to EHD series. Expanded the application area of High abrasion resistant steel and Addtional protectors are provided the best performance in tough working environments.



- High abrasion resistant steel (400HB)
- High abrasion resistant steel (500HB)
- Protectors

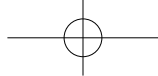


FEATURE & BENEFITS

- Optimized design for Develon genuine HD tooth for high penetration and productivity.
- Adoption of new desiged side cutter for better penetration and protection.
- Apply heel saver and edge-save protectors.
- Expanded the application area of High abrasion resistant steel.
- Dual curvered profile for high capacity.
- Low tip radius for greater digging performance.
- Quick coupler-friendly design.

TECHNICAL SPECIFICATIONS

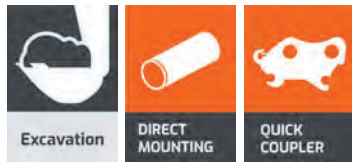
Model	Apply Machine	Parts Number	Mount Type	Capacity [m ³]	Weight [kg]	Width W [mm]	Pin Size D [Φ]	GET Type
EHD22-1200(+)	DX200, DX200-7M DX210, DX220 DX220-7M, DX225 DX225-7M, DX235 DX240, DX260	230104-04152	DM	1.08	1,033	1,246	80	Tooth&adapter
EHD30-1300(+)	DX300,DX300-7M DX320-7M	230104-04176	DM	1.47	1,296	1,458	90	Tooth&adapter
EHD36-1500(+)	DX340, DX360 DX360-7M, DX380, DX400-7M	230104-05193	DM	1.81	1,686	1,534	100	Tooth&adapter
EHD36-1700(+)		230104-04178	DM	2.03	1,820	1,684	100	Tooth&adapter
EHD45-1600(+)		230104-04182	DM	2.14	1,960	1,600	110	Tooth&adapter
EHD45-1700(+)	DX420 DX450-7M	230104-05195	DM	2.42	2,078	1,772	110	Tooth&adapter
EHD45-2000(+)		230104-05197	DM	2.72	2,253	1,960	110	Tooth&adapter
EHD53-2000(+)	DX480, DX490 DX490-7M DX500, DX520 DX530,DX530-7M DX550	230104-04184	DM	3.28	2,684	2,066	120	Tooth&adapter



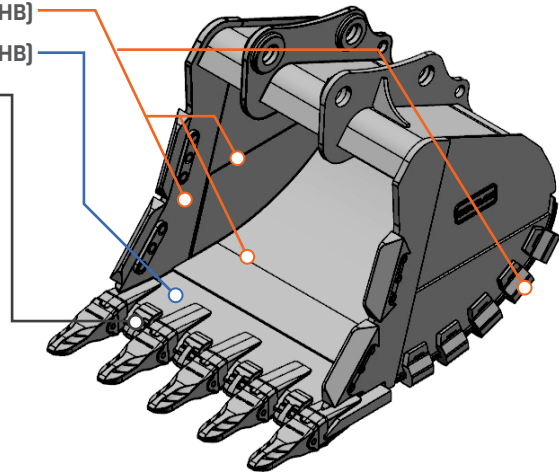
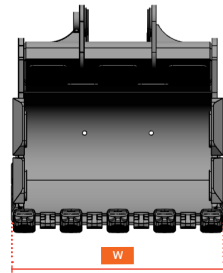
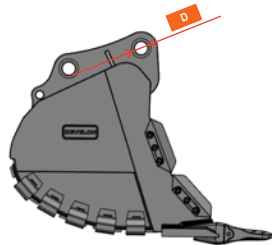
Excavation Attachment

ESD+ Series Bucket (Severe Duty Plus)

ESD+ Series significantly increase its durability of compared to ESD series. Expanded the application area of High abrasion resistant steel and Additional protectors are provided the best performance in tough working environments.



- High abrasion resistant steel (400HB)
- High abrasion resistant steel (500HB)
- Protectors



FEATURE & BENEFITS

- High abrasion resistant steels are applied for superior durability.
400HB: Equivalent to Hadox400
500HB: Equivalent to Hadox500 or Borox500
- Optimized design for Develon genuine HD tooth for high penetration.
- Adoption of new designed side cutter for better penetration and protection.
- Dual curved profile for high capacity.
- Low tip radius for greater digging performance.

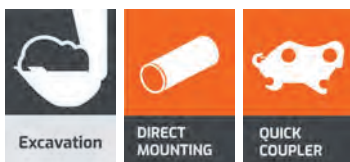
TECHNICAL SPECIFICATIONS

Model	Apply Machine	Parts Number	Mount Type	Capacity (m ³)	Weight (kg)	Width W (mm)	Pin Size D (Φ)	GET Type
ESD22-1400(+)	DX200, DX200-7M DX210, DX220 DX220-7M, DX225 DX225-7M, DX235 DX240, DX260	230104-04039A	DM	1.23	1,408	1,394	80	Tooth&adapter
ESD30-1400(+)	DX300 DX300-7M DX320-7M	230104-04041A	DM	1.45	1,673	1,442	90	Tooth&adapter
ESD36-1400(+)	DX340, DX360 DX360-7M DX380 DX400-7M	230104-04270	DM	1.71	2,145	1,470	100	Tooth&adapter

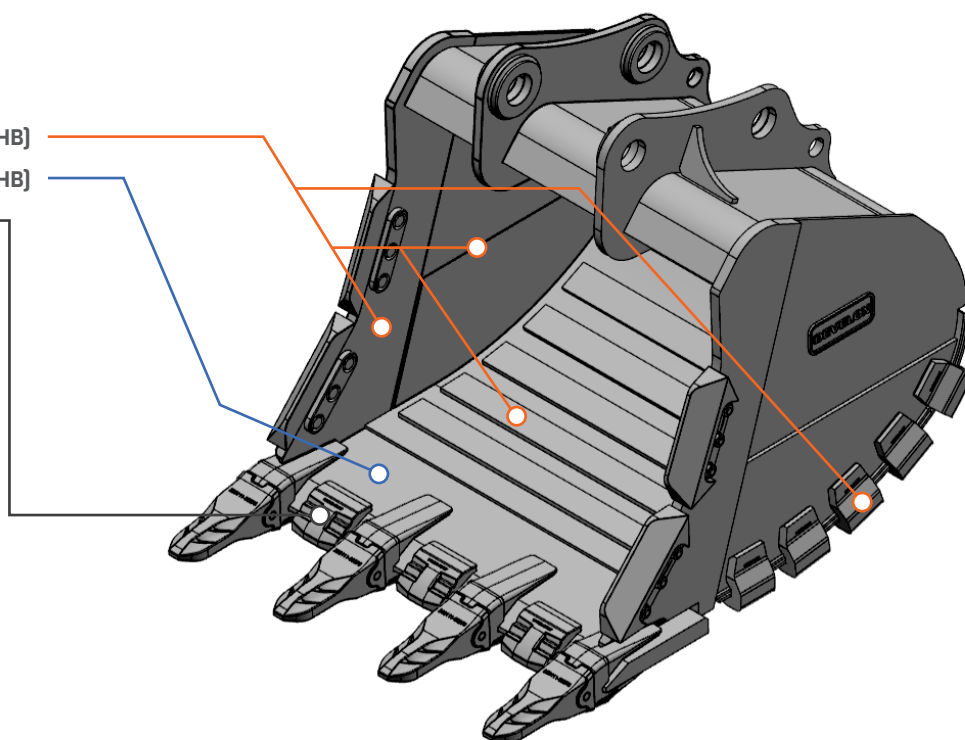
Excavation Attachment

EXD Series Bucket (Extrem Duty)

EXD Series is designed for use in high density mining & quarry environment using high strength and abrasion resistance material.



- High abrasion resistant steel (400HB)
- High abrasion resistant steel (500HB)
- Protectors



PROTECTOR

The Muscle Pack (Edge Saver & Heel) increases durability and protects the bucket from wear.

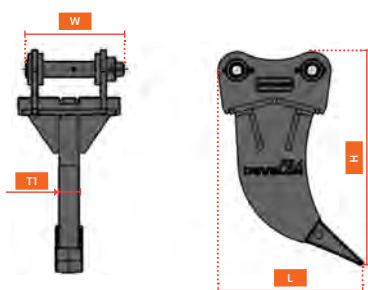


1. 111003-00056
PROTECTOR : HEEL
2. 111003-00055
PROTECTOR : EDGE SAVER

Excavation Attachment

RP Series Ripper

Develon RP offers powerful ripping capabilities in hard and compact material such as compact soil, rock, ice, caliche, tarmac, pavement.

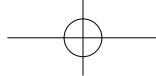


FEATURE & BENEFITS

- Optimized angle for perfect penetration.
- Horizontal pin lock system for easily replacement

TECHNICAL SPECIFICATIONS

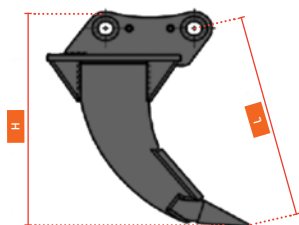
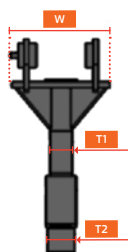
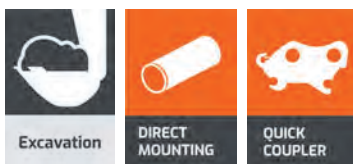
Model	Apply Machine	Part no.	Operating Weight [kg]	Height H [mm]	Width W [mm]	Thickness T [mm]	Length L [mm]
RP02C	DX19	230101-00761	25	468	212	48	287
RP03C	DX27, DX27-7M	230101-00764	50	584	250	50	376
RP04C	DX30, DX35, DX35-7M	230101-00763	50	584	250	50	386
RP06C	DX53, DX55, DX50-7M DX55-7M, DX60, DX63	230101-00667A	91	658	355	50	505
RP08C	DX80, DX85-7	230101-00668A	91	658	355	50	515



Excavation Attachment

RP-II Series Ripper

Develon RP-II offers powerful ripping capabilities in hard and compact material such as compact soil, rock, ice, caliche, tarmac, pavement.



FEATURE & BENEFITS

- Optimized angle for perfect penetration.
- High grade material on on wear parts.
- Horizontal pin lock system for easily replacement

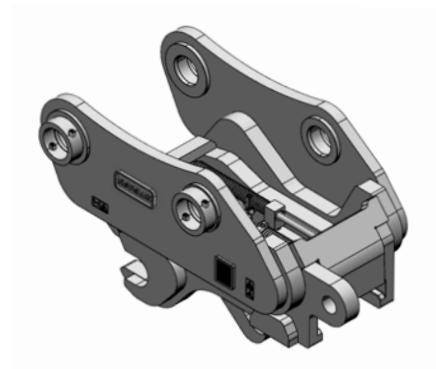
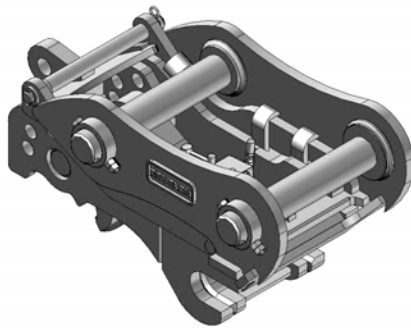
TECHNICAL SPECIFICATIONS

Model	Apply Machine	Part no.	Operating Weight (kg)	Height H (mm)	Width W(mm)	Thickness T1(mm)	Thickness T2(mm)	Length L (mm)
RP05-II	DX53, DX55 DX50-7M, DX55-7M DX60,DX63	270602-00003	145	788	330	75	90	746
RP14-II	DX138, DX140, DX160	270602-00004	245	1,055	422	75	82	1,010
RP22-II	DX200, DX210, DX220 DX225, DX235, DX255 DX200-7M, DX210-7M DX220-7M, DX225-7M	270602-00005	450	1,103	500	75	115	1,061
RP30-II	DX300, DX300-7M, DX320-7M	270602-00006	800	1,173	575	75	115	1,165
RP34-II	DX340, DX360, DX360-7M, DX380, DX400-7M	270602-00007	900	1,464	600	100	130	1,387
RP42-II	DX420, DX450-7M	270602-00008	1,150	1,679.8	700	100	130	1,581
RP48-II	DX480, DX490, DX500, DX520, DX530, DX490-7M,DX530-7M	270602-00009	1,150	1,679.8	700	100	130	1,581
RP80-II	DX700, DX800	270602-00013	1,750	1,860	970	100	140	1,745

Connection Attachment

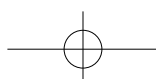


DEVELON



01 EQC-S Series Coupler

02 EQC-D Series Coupler



Connection Attachment

EQC-S Series Coupler (Single lock)

HDI Hydraulic Quick Coupler allows you to increase the versatility of your excavators
EQC will help you gain in productivity and efficiency with increase safety.

FEATURE & BENEFITS

- Helps to change various attachment quickly & easily
- With an enhanced welding structure, reducing torsion stree and increasing coupler lifetime.
- A lifting hook for lifing and carrhying material
- Manual safety pin.

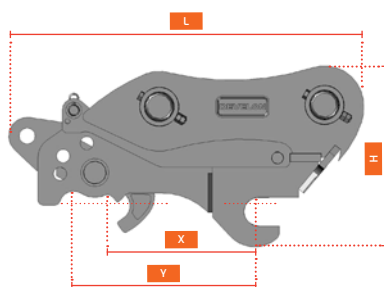
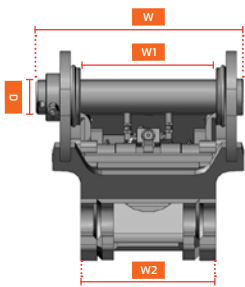
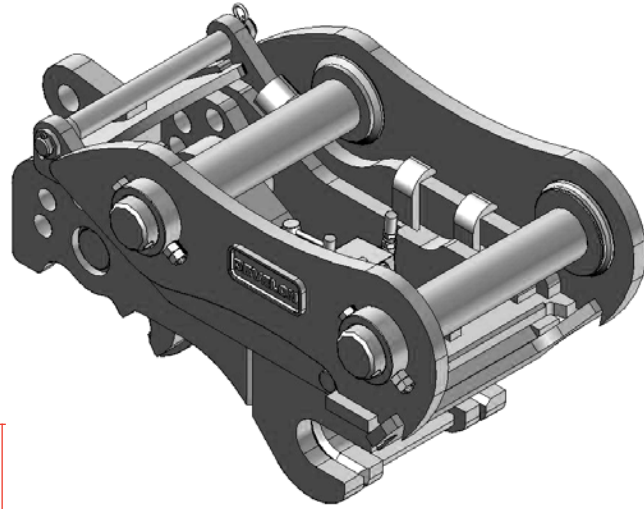
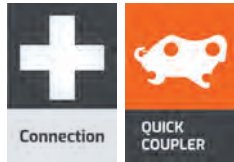
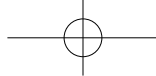
* **REQUIREMENT** : Quick coupler piping option is mandatory.

TECHNICAL SPECIFICATIONS

Model	Apply Machine	Parts no.	Weight (kg)	Pin dia. D (mm)	Width W (mm)	Width W1(mm)
EQC02S	DX27 DX27-7M	270201-00015	39	35	243	136
EQC02S(FI)		270201-00015FI				
EQC03S	DX30, DX35, DX35-7M	270201-00016	47	40	239	136
EQC03S(FI)		270201-00016FI				
EQC05S	DX55, DX60, DX63	270201-00026	70	45	277	156
EQC05S(FI)		270201-00026FI				
EQC08S	DX80, DX85-7	270201-00027	83	45	322	202
EQC08S(FI)		270201-00027FI				
EQC14S	DX140, DX160	270201-00028	170	65	422	261
EQC14S(FI)		270201-00028FI				
EQC22S	DX200, DX210, DX220, DX225, DX235, DX255, DX260	K1024329	318	80	503	334
EQC22S(FI)		K1024329FI				
EQC22S(7M)	DX200-7M, DX210-7M, DX225-7M, DX235-7M DX240-7M	270201-00085	318	80	503	334
EQC22S(7M)(FI)		270201-00092				
EQC30S	DX300	270201-00029	598	90	635	395
EQC30S(FI)		270201-00029FI				
EQC30S(7M)	DX300-7M	270201-00086	598	90	635	395
EQC30S(7M)(FI)		270201-00093				
EQC34S	DX340, DX350, DX360, DX380	270201-00030	655	100	649	409
EQC34S(FI)		270201-00030FI				
EQC34S(7M)	DX360-7M DX400-7M	270201-00087	655	100	649	409
EQC34S(7M)(FI)		270201-00094				
EQC42S	DX420	270201-00055	717	110	706	442
EQC42S(FI)		270201-00055FI				
EQC42S(7M)	DX420-7K DX450-7M	270201-00088	717	110	706	442
EQC42S(7M)(FI)		270201-00095				
EQC50S	DX480, DX490, DX500 DX520, DX530	270201-00056	896	120	721	471
EQC50S(FI)		270201-00056FI				
EQC50S(7M)	DX490-7M, DX530-7M DX530-5B, DX530-7K	270201-00089	896	120	721	471
EQC50S(7M)(FI)		270201-00096				

* Notes

- FI stands for Factory installation which means we can ship your machine equipped with this attachment.

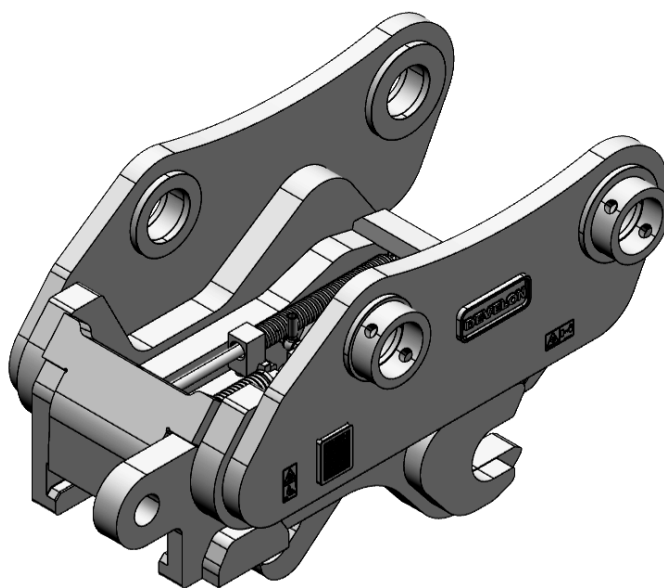
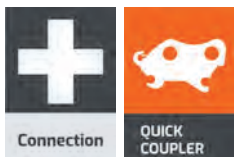


Width W2[mm]	Length L [mm]	Height H [mm]	Pick-up range X-Y [mm]	Hose type	Lifting hook type	Lifting hook SWL[kg]	Safety
134	458	264	174~217	PF1/4	Closed	1,000	Single Lock
134	506	263	191~236	PF1/4	Closed	1,000	Single Lock
155	593	321	255~303	PF1/4	Closed	3,000	Single Lock
200	642	314	287~353	PF1/4	Closed	3,000	Single Lock
261	854	398	380~440	PF1/4	Closed	5,000	Single Lock
332	1,020	509	445~514	PF1/4	Closed	5,000	Single Lock
332	1,020	509	445~514	UNF1 9/16 -18	Closed	5,000	Single Lock
394	1,178	576	488~595	PF1/4	Closed	10,000	Single Lock
394	1,178	576	488~595	UNF 11/16-16	Closed	10,000	Single Lock
408	1,200	592	539~606	PF1/4	Closed	10,000	Single Lock
408	1,200	592	539~606	UNF 11/16-16	Closed	10,000	Single Lock
440	1,259	619	535~604	PF1/4	Closed	10,000	Single Lock
440	1,259	619	535~604	UNF 11/16-16	Closed	10,000	Single Lock
470	1,335	676	543~640	PF1/4	Closed	10,000	Single Lock
470	1,335	676	543~640	UNF 11/16-16	Closed	10,000	Single Lock

Connection Attachment

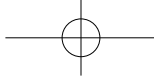
EQC-D Series Coupler (Dual lock)

Develon EQC-D Series is applied the best in high strength steels to achieve consistent quality resulting in superior product performance and durability. It also provides the safety features which comply with all European and National safety regulations.



TECHNICAL SPECIFICATIONS

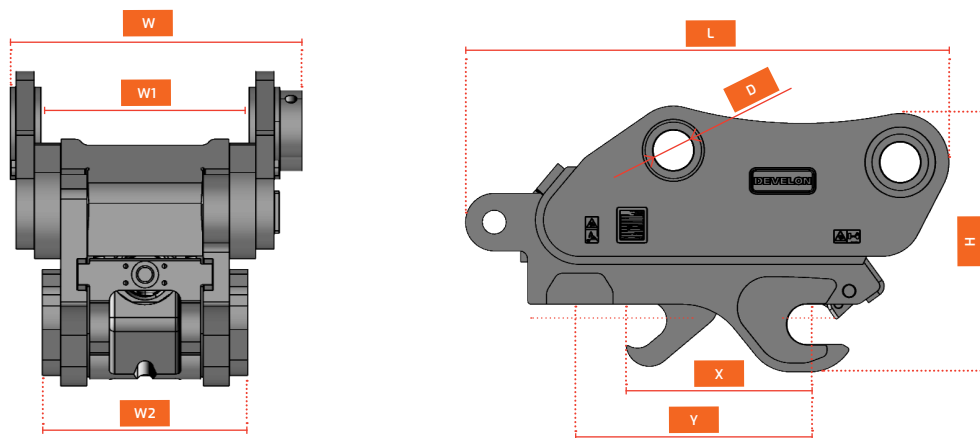
Model	Apply Machine	Parts no.	Weight [kg]	Pin dia. D [mm]
EQH01D	DX19Z-7B	270201-00105	22.5	30
EQC02D	DX27Z-7	270201-00102	35	35
EQC03D	DX35Z-7	270201-00103	35	35
EQC05D	DX55-7	270201-00104	73	45
EQC05D	DX55, DX60, DX63	270201-00062	65	45
EQC08D	DX80R	270201-00106	73	45
EQC14D	DX140, DX160	270201-00063	183	65
EQC22D	DX180, DX190, DX200, DX210, DX220, DX225, DX235, DX255, DX260	270201-00064	327	80
EQC30D	DX300	270201-00065	422	90
EQC34D	DX340, DX350, DX360, DX380	270201-00066	686	100
EQC42D	DX420	270201-00067	750	110
EQC50D	DX480, DX490, DX500, DX520, DX530	270201-00068	796	120
EQC80D	DX700/DX800	270201-00112	2,100	140



FEATURE & BENEFITS

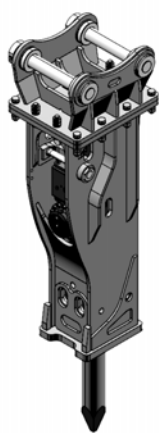
- Wide range of product line-up .Available 1 to 80 tonnage machine.
- EN 474-1 & ISO 13031 Compliant
- Powerful spring activated safety locks work in all dirty environments
- Front& Rear safety lock system to prevent any misconnection case.

* **REQUIREMENT** : Quick coupler piping option is mandatory.



Width W2[mm]	Pick-up range X-Y [mm]	Lifting hook type	Lifting hook SWL[kg]	Safety	Notes
103	130-135	Close	1,000	Dual lock	Manual type
122	178-203	Close	2,000	Dual lock	-
122	178-203	Close	2,000	Dual lock	-
150	218-272	Close	6,000	Dual lock	-
150	218-267	Close	4,750	Dual lock	-
150	262-316	Close	6,000	Dual lock	-
250	355-430	Close	10,500	Dual lock	-
300	385-500	Close	17,000	Dual lock	-
320	460-570	Close	25,000	Dual lock	-
370	324-522	Close	35,000	Dual lock	-
390	525-640	Close	35,000	Dual lock	-
468	570-635	Close	35,000	Dual lock	-
527	595-735	Close	40,000	Dual lock	-

Demolition Attachment



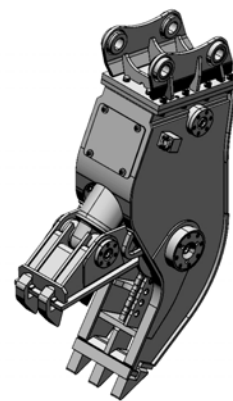
01 HB-K Series



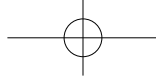
02 HB-C Series



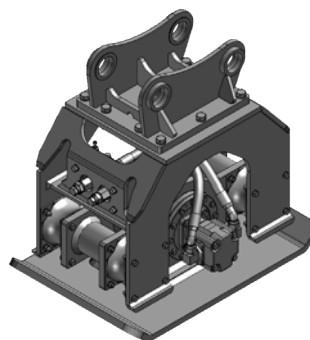
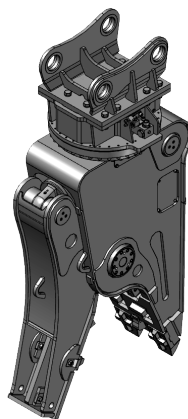
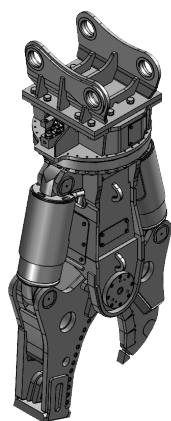
03 XB Series



04 FP Series



DEVELON

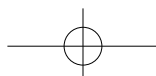


05 MP Series

06 RC Series

07 PC Series

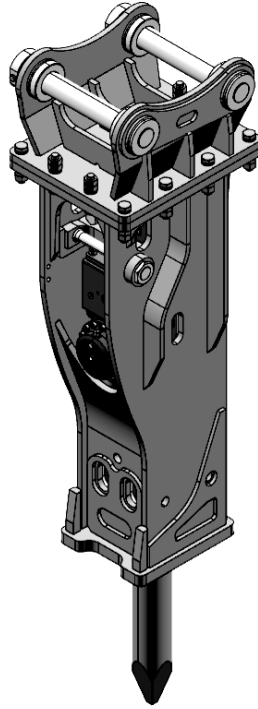
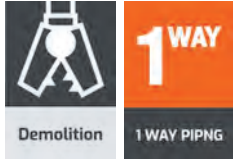
08 VR Series



Demolition Attachment

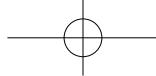
HB-K Series Hydraulic Breaker

HB-K Series breaker is designed for mainly focusing on breaking job. it is focus on optimizing impact power, enhancing durability and satisfying customer convenience and easy maintainance.



TECHNICAL SPECIFICATIONS

Model	Apply Machine	Bracket Type	Parts no.	Weight [kg]	Length L [mm]	Width W [mm]	Height H [mm]	Main Valve type	Operating Pressure [bar]	Oil Flow [l/min]	Impact rate [bpm]
HB20-II	DX180, DX190, DX200, DX210, DX220, DX225, DX235, DX255 DX200-7M, DX210-7M, DX220-7M, DX225-7M	Housing	270301-00041A	1,693	2,360	2,360	565	Outward	170-210	130-150	200-350
			270301-00042A	1,693	2,360	2,360	565				
			270301-00095	1,693	2,360	2,360	565				
			270301-00043A	1,693	2,360	2,360	565				
		Top mount	270301-00044A	1,862	2,385	2,385	575				
			270301-00045A	1,862	2,385	2,385	575				
			Side mount	270301-00081	1,630	2,310	2,310				
270301-00046A	1,630	2,310		2,310	565						
HB30-II	DX300 DX300-7M DX320-7M	Housing	270301-00047A	2,263	2,585	2,585	665	Outward	180-220	150-190	150-250
			270301-00048A	2,263	2,585	2,585	665				
			270301-00096	2,263	2,585	2,585	665				
			270301-00049A	2,263	2,585	2,585	665				
		Top mount	270301-00050A	2,498	2,560	2,560	670				
			270301-00051A	2,498	2,560	2,560	670				
		Side mount	270301-00090	2,340	2,540	2,540	665				
			270301-00052A	2,340	2,540	2,540	665				

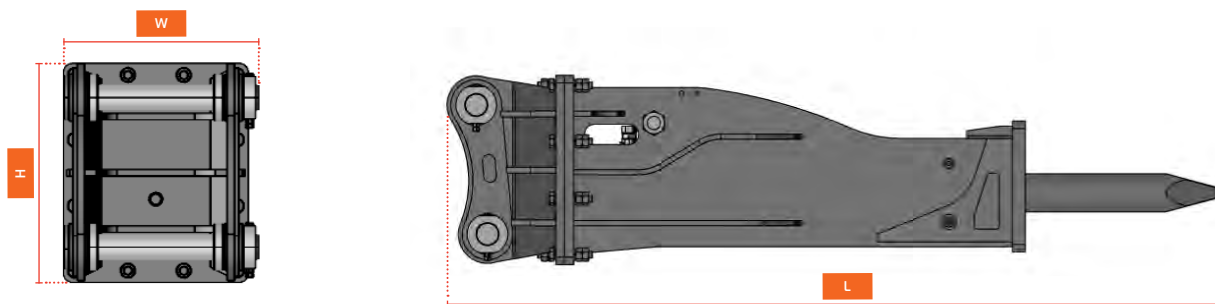


FEATURE & BENEFITS

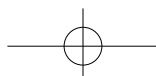
- Oil and gas assist system .
- Heavy duty main bracket design.
- 3 different bracket options (Top, Housing, Side).
- Centralized auto grease system (Optional).
- Standard option for Dual Speed Control system.
- Line-up from 20 ton to 80 ton.
- 1 year warranty.
- Made in Korea .

* REQUIREMENT :

- 1 or 2way piping option is mandatory.
- Breaker filter option is recommended.



Chisel		Options					Accessories					
type	Size[A]	Dual Speed	Anti blank Blow	AGS	ACC	Under Water kit	Chisel Q'ty	HOSE Q'ty	N2 KIT	Service tool	Seal kit	Mounting Cap(Ø)
Pyramidal	135	O	X	X	O	X	2	2	O	O	X	O (Ø 80)
Wedge		O	X	X	O	X	2	2	O	O	X	O (Ø 80)
Wedge		O	X	O	O	X	2	2	O	O	X	O (Ø 80)
Pyramidal		O	X	O	O	X	2	2	O	O	X	O (Ø 80)
Pyramidal		O	X	X	O	X	2	2	O	O	X	O (Ø 80)
Wedge		O	X	X	O	X	2	2	O	O	X	O (Ø 80)
Wedge		O	X	X	O	X	2	2	O	O	X	O (Ø 80)
Pyramidal		O	X	X	O	X	2	2	O	O	X	O (Ø 80)
Pyramidal	150	O	X	X	O	X	2	2	O	O	X	O (Ø 90)
Wedge		O	X	X	O	X	2	2	O	O	X	O (Ø 90)
Wedge		O	X	O	O	X	2	2	O	O	X	O (Ø 90)
Pyramidal		O	X	O	O	X	2	2	O	O	X	O (Ø 90)
Pyramidal		O	X	X	O	X	2	2	O	O	X	O (Ø 90)
Wedge		O	X	X	O	X	2	2	O	O	X	O (Ø 90)
Wedge		O	X	X	O	X	2	2	O	O	X	O (Ø 90)
Pyramidal		O	X	X	O	X	2	2	O	O	X	O (Ø 90)



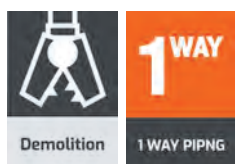
TECHNICAL SPECIFICATIONS

Model	Apply Machine	Bracket Type	Parts no.	Weight [kg]	Length L [mm]	Width W [mm]	Height H [mm]	Main Valve type	Operating Pressure [bar]	Oil Flow [L/min]	Impact rate [bpm]
HB30-II	DX340 DX360 DX360-7M DX380 DX400-7M	Housing	270301-00053A	2,263	2,585	2,585	665	Outward	180-220	150-190	150-250
			270301-00054A	2,263	2,585	2,585	665				
			270301-00097	2,263	2,585	2,585	665				
			270301-00055A	2,263	2,585	2,585	665				
		Top mount	270301-00056A	2,498	2,560	2,560	670				
			270301-00057A	2,498	2,560	2,560	670				
		Side mount	270301-00058A	2,340	2,540	2,540	665				
HB36-II	DX340 DX360 DX360-7M DX380 DX400-7M	Housing	270301-00105	3,215	2,820	2,820	705	Outward	190-230	190-250	150-250
			270301-00106	3,215	2,820	2,820	705				
			270301-00107	3,230	2,820	2,820	705				
			270301-00108	3,230	2,820	2,820	705				
		Top mount	270301-00109	3,435	2,780	2,780	780				
			270301-00110	3,435	2,780	2,780	780				
		Side mount	270301-00111	3,180	2,800	2,800	-				
270301-00112	3,180		2,800	2,800	-						
HB40-II	DX420 DX450-7M	Housing	270301-00059A	2,796	2,820	2,820	705	Outward	190-230	190-250	150-250
			270301-00060A	2,796	2,820	2,820	705				
			270301-00061A	2,796	2,820	2,820	705				
		Top mount	270301-00062A	3,160	2,780	2,780	780				
			270301-00063A	3,160	2,780	2,780	780				
HB50-II	DX480,DX490, DX500, DX520, DX530 DX490-7M DX530-7M	Top mount	270301-00067A	3,950	3,195	3,195	815	Outward	200-240	190-250	150-250
			270301-00068A	3,950	3,195	3,195	815				
		Housing	270301-00069A	3,700	3,160	3,160	815				
			270301-00091	3,700	3,160	3,160	815				
			270301-00070A	3,700	3,160	3,160	815				
HB80-II	DX700 DX800	Top mount	270301-00071A	6,880	3,840	3,840	950	Outward	220-260	360-450	150-250
			270301-00072A	6,880	3,840	3,840	950				
		Housing	270301-00073A	6,420	3,810	3,810	920				
			270301-00074A	6,420	3,810	3,810	920				
		Side mount	270301-00078	6,320	3,850	3,850	960				

Demolition Attachment

HB-C Series Hydraulic Breaker

HB-C Series breaker is designed for mainly focusing on breaking job. it is focus on optimizing impact power, enhancing durability and satisfying customer convenience and easy maintainance.



TECHNICAL SPECIFICATIONS

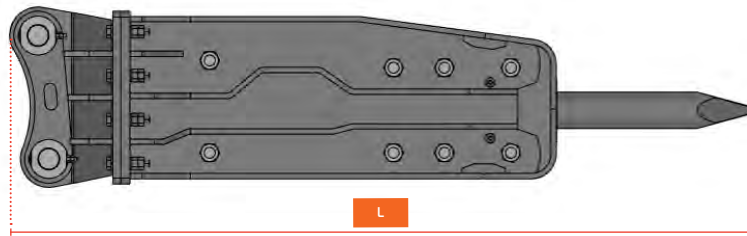
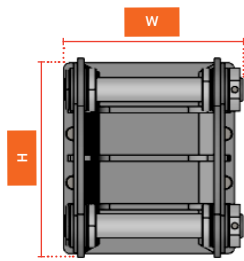
Model	Apply Machine	Bracket Type	Parts no.	Weight [Kg]	Length L [mm]	Width W [mm]	Height H [mm]	Main Valve type	Operating Pressure [bar]	Oil Flow [l/min]	Impact rate [bpm]	
HB03	DX27 DX27-7M	Side mount	230103-00134E	95	1,090	265	435	Inward	88-117	20-30	700-1200	
		Top mount	230103-00135E	95	1,235	226	200	Inward				
		Top mount	230103-00135H	95	1,331	260	295	Inward				
HB04	DX30, DX35 DX35-7M	Side mount	230103-00137E	158	1,178	285	500	Inward	88-117	25-50	600-1100	
		Top mount	230103-00138E	158	1,344	285	370	Inward				
		Housing	230103-00139E	180	1,417	350	305	Inward				
		Housing	230103-00139H	180	1,417	350	305	Inward				
HB05	DX53, DX55, DX50-7M, DX55-7M, DX60, DX63	Side mount	230103-00223F	252	1,267	328	683	Inward	108-137	40-70	500-900	
HB06	DX53 DX55 DX50-7M DX55-7M DX60, DX63	Side mount	230103-00140E	263	1,373	385	696	Inward	108-137	40-70	500-900	
		Backhoe	230103-00140H	-	-	-	-	Inward				
		Top mount	230103-00141E	343	1,684	385	486	Inward				
		Housing	230103-00142E	361	1,660	385	486	Inward				
		Housing	230103-00142H	361	1,660	385	486	Inward				
HB08	DX80, DX85-7	DX60, DX63	Top mount	230103-00144T	410	1,738	390	486	Inward	118-147	50-90	400-800
		Side mount	230103-00143E	335	1,630	385	760	Inward				
			Backhoe	230103-00143H	-	1,769	-	-	Inward			
			Backhoe	230103-00359	219	1,172	-	-	Inward			
			Top mount	230103-00144E	410	1,738	390	486	Inward			
			Housing	230103-00145E	451	1,717	385	486	Inward			
			Housing	230103-00145H	451	1,717	385	486	Inward			

FEATURE & BENEFITS

- Oil and gas assist system
- 3 different bracket options(Top, Housing, Side)
- Standard option for Dual Speed Control system.
- Line-up from 2 ton to 50 ton
- 1 year warranty
- Made in China

* REQUIREMENT :

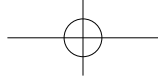
- 1 or 2way piping option is mandatory
- Breaker filter option is recommended



Chisel		Options					Accessories					
type	Size(A)	Dual Speed	Anti blank Blow	AGS	ACC	Under Water kit	Chisel Q'ty	HOSE Q'ty	N2 KIT	Service tool	Seal kit	Mounting Cap(Ø)
Pyramidal	45	X	X	X	X	X	2	2	0	0	0	0 (Ø 35)
Pyramidal	45	X	X	X	X	X	2	2	0	0	0	0 (Ø 35)
Wedge(H)	45	X	X	X	X	X	2	2	0	0	0	0 (Ø 35)
Pyramidal	53	X	X	X	X	X	2	2	0	0	0	0 (Ø 40)
Pyramidal	53	X	X	X	X	X	2	2	0	0	0	0 (Ø 40)
Pyramidal	53	X	X	X	X	X	2	2	0	0	0	0 (Ø 40)
Wedge(H)	53	X	X	X	X	X	2	2	0	0	0	0 (Ø 40)
Pyramidal	68	X	X	X	X	X	1	2	0	0	X	0(Ø 45)
Pyramidal	68	X	X	X	X	X	2	2	0	0	0	0(Ø 45)
Wedge(H)	68	X	X	X	X	X	2	2	0	0	0	0(Ø 45)
Pyramidal	68	X	X	X	X	X	2	2	0	0	0	0(Ø 45)
Pyramidal	68	X	X	X	X	X	2	2	0	0	0	0(Ø 45)
Wedge(H)	68	X	X	X	X	X	2	2	0	0	0	0(Ø 45)
Pyramidal	75	X	X	X	X	X	2	2	0	0	0	0(Ø 45)
Pyramidal	75	X	X	X	X	X	2	2	0	0	0	0(Ø 45)
Wedge	75	X	X	X	X	X	2	2	0	0	0	0(Ø 45)
Pyramidal	75	X	X	X	X	X	2	2	0	0	0	0(Ø 44.4 / Ø38.1)
Pyramidal	75	X	X	X	X	X	2	2	0	0	0	0(Ø 45)
Pyramidal	75	X	X	X	X	c	2	2	0	0	0	0(Ø 45)
Wedge(H)	75	X	X	X	X	c	2	2	0	0	0	0(Ø 45)

TECHNICAL SPECIFICATIONS

Model	Apply Machine	Bracket Type	Parts no.	Weight [Kg]	Length L [mm]	Width W [mm]	Height H [mm]	Main Valve type	Operating Pressure [bar]	Oil Flow [l/min]	Impact rate [bpm]
HB15	DX138 DX140 DX160	Side mount	230103-00146E	761	1,900	443	966	Inward	147-166	80-110	350-700
		Top mount	230103-00147E	866	2,387	458	570	Inward			
		Top mount	230103-00147H	866	2,387	458	570	Inward			
		Housing	230103-00148E	1,007	2,354	458	570	Inward			
	Housing	230103-00148H	1,007	2,354	458	570	Inward				
	DX200, DX210, DX220, DX225	Top mount	230103-00147T	866	2,387	458	570	Inward			
HB18	DX180, DX190 DX200, DX210, DX220, DX225, DX235, DX255 DX200-7M, DX210-7M DX220-7M, DX225-7M	Top mount	270301-00101	1,350	2,440	553	680	Inward	147-167	90-120	350-650
HB20	DX180, DX190 DX200, DX210, DX220 DX225, DX235, DX255 DX200-7M, DX210-7M DX220-7M, DX225-7M	Side mount	230103-00149E	1,653	2,423	575	1,202	Outward	157-177	130-150	400-600
		Top mount	230103-00150E	1,847	2,900	575	710	Outward			
			230103-00150H	1,847	2,900	575	710	Outward			
			270301-00104	1,847	2,900	575	710	Outward			
		Housing	230103-00151E	1,893	2,847	575	710	Outward			
		Housing	230103-00151H	1,893	2,847	575	710	Outward			
		Housing	230103-00355	1,751	2,847	575	710	Outward			
Housing	230103-00355H	1,751	2,847	575	710	Outward					
HB22	DX180, DX190 DX200, DX210, DX220, DX225, DX235, DX255 DX200-7M, DX210-7M, DX220-7M, DX225-7M	Side mount	230103-00152E	1,809	2,480	575	1,335	Inward	157-177	120-180	350-500
		Top mount	230103-00153E	2,094	2,866	575	710	Inward			
		Top mount	230103-00153H	2,094	2,866	575	710	Inward			
		Housing	230103-00154E	1,935	2,793	575	710	Inward			
		Housing	230103-00154F	1,935	2,793	575	710	Inward			
		Housing	230103-00356	1,935	2,793	575	710	Inward			
		Housing	230103-00356H	1,935	2,793	575	710	Inward			
HB30	DX300 DX300-7M DX320-7M	Side mount	230103-00155E	2,218	2,640	665	1,343	Outward	157-177	150-190	350-700
		Top mount	230103-00156E	2,380	2,897	665	760	Outward			
		Top mount	230103-00156F	2,380	2,897	665	760	Outward			
		Top mount	230103-00156H	2,380	2,897	665	760	Outward			
		Housing	230103-00157E	2,457	3,002	665	760	Outward			
		Housing	230103-00157H	2,457	3,002	665	760	Outward			
		Housing	230103-00157F	2,457	3,002	665	760	Outward			
		Housing	230103-00357	2,457	3,002	665	760	Outward			
		Housing	230103-00357H	2,457	3,002	665	760	Outward			
Housing	230103-00357F	2,457	3,002	665	760	Outward					
HB32	DX300 DX300-7M DX320-7M	Side mount	230103-00158E	2,577	2,731	665	1,400	Inward	157-177	180-240	300-450
		Top mount	230103-00159E	2,745	3,215	665	790	Inward			
		Top mount	230103-00159H	2,745	3,215	665	790	Inward			
		Housing	230103-00160E	2,968	3,105	665	800	Inward			
		Housing	230103-00160H	2,968	3,105	665	800	Inward			
		Housing	230103-00358	2,968	3,105	665	800	Inward			
		Housing	230103-00358H	2,968	3,105	665	800	Inward			
HB36	DX340 DX360 DX360-7M DX380 DX400-7M	Side mount	230103-00376	2,577	2,731	665	1,400	Inward	157-177	180-240	300-450
		Top mount	230103-00377	2,745	3,215	665	790	Inward			
		Top mount	230103-00378	2,745	3,215	665	790	Inward			
		Housing	230103-00379	2,968	3,105	665	800	Inward			
		Housing	230103-00380	2,968	3,105	665	800	Inward			
		Housing	230103-00381	2,968	3,105	665	800	Inward			
		Housing	230103-00382	2,968	3,105	665	800	Inward			
HB50	DX480, DX490, DX500, DX520, DX530, DX490-7M, DX530-7M	Top mount	230103-00165E	4,057	3,695	775	877	Outward	177-206	200-260	200-350
		Top mount	230103-00165H	4,057	3,695	775	877	Outward			

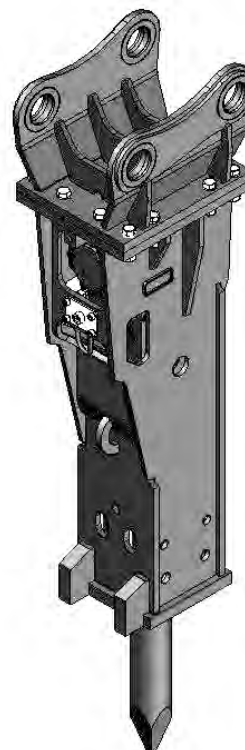
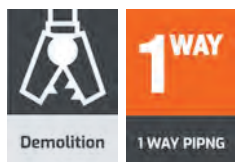


Chisel		Options					Accessories					
type	Size[A]	Dual Speed	Anti blank Blow	AGS	ACC	Under Water kit	Chisel Q'ty	HOSE Q'ty	N2 KIT	Service tool	Seal kit	Mounting Cap(Ø)
Pyramidal	100	X	X	X	X	X	2	2	0	0	0	O(Ø 65)
Pyramidal	100	X	X	X	X	X	2	2	0	0	0	O(Ø 65)
Wedge(H)	100	X	X	X	X	X	2	2	0	0	0	O(Ø 65)
Pyramidal	100	X	X	X	X	X	2	2	0	0	0	O(Ø 65)
Wedge(H)	100	X	X	X	X	X	2	2	0	0	0	O(Ø 65)
Wedge(V)	100	X	X	X	X	X	2	2	0	0	0	O(Ø 80)
Wedge(H)	120	0	X	X	0	X	2	2	0	0	X	O(Ø 80)
Pyramidal	135	0	X	X	0	X	2	2	0	0	0	O(Ø 80)
Pyramidal	135	0	X	X	0	X	2	2	0	0	0	O(Ø 80)
Wedge(H)	135	0	X	X	0	X	2	2	0	0	0	O(Ø 80)
Wedge(H)	135	0	X	X	0	X	2	2	0	0	X	O(Ø 80)
Pyramidal	135	0	X	X	0	X	2	2	0	0	0	O(Ø 80)
Wedge(H)	135	0	X	X	0	X	2	2	0	0	0	O(Ø 80)
Pyramidal	135	0	0	0	0	X	2	2	X	X	0	O(Ø 80)
Wedge(H)	135	0	0	0	0	X	2	2	X	X	0	O(Ø 80)
Pyramidal	140	0	X	X	0	X	2	2	0	0	0	O(Ø 80)
Pyramidal	140	0	X	X	0	X	2	2	0	0	0	O(Ø 80)
Wedge(H)	140	0	X	X	0	X	2	2	0	0	0	O(Ø 80)
Pyramidal	140	0	X	X	0	X	2	2	0	0	0	O(Ø 80)
Wedge(H)	140	0	X	X	0	X	2	2	0	0	0	O(Ø 80)
Pyramidal	140	0	0	0	0	X	2	2	X	X	0	O(Ø 80)
Wedge(H)	140	0	0	0	0	X	2	2	0	0	0	O(Ø 80)
Pyramidal	150	0	X	X	0	X	2	2	0	0	0	O(Ø 90)
Pyramidal	150	0	X	X	0	X	2	2	0	0	0	O(Ø 90)
Moil	150	0	X	X	0	X	2	2	0	0	0	O(Ø 90)
Wedge(H)	150	0	X	X	0	X	2	2	0	0	0	O(Ø 90)
Pyramidal	150	0	X	X	0	X	2	2	0	0	0	O(Ø 90)
Wedge(H)	150	0	X	X	0	X	2	2	0	0	0	O(Ø 90)
Moil	150	0	X	X	0	X	2	2	0	0	0	O(Ø 90)
Pyramidal	150	0	0	0	0	X	1	2	X	X	0	O(Ø 90)
Wedge(H)	150	0	0	0	0	X	2	2	0	0	0	O(Ø 90)
Moil	150	0	0	0	0	X	2	2	0	0	0	O(Ø 90)
Pyramidal	155	0	X	X	0	X	2	2	0	0	0	O(Ø 90)
Pyramidal	155	0	X	X	0	X	2	2	0	0	0	O(Ø 90)
Wedge(H)	155	0	X	X	0	X	2	2	0	0	0	O(Ø 90)
Pyramidal	155	0	X	X	0	X	2	2	0	0	0	O(Ø 90)
Wedge(H)	155	0	X	X	0	X	2	2	0	0	0	O(Ø 90)
Pyramidal	155	0	0	0	0	X	1	2	X	X	0	O(Ø 90)
Wedge(H)	155	0	0	0	0	X	2	2	0	0	0	O(Ø 90)
Pyramidal	155	0	X	X	0	X	2	2	0	0	0	O(Ø 100)
Pyramidal	155	0	X	X	0	X	2	2	0	0	0	O(Ø 100)
Wedge(H)	155	0	X	X	0	X	2	2	0	0	0	O(Ø 100)
Pyramidal	155	0	X	X	0	X	2	2	0	0	0	O(Ø 100)
Wedge(H)	155	0	X	X	0	X	2	2	0	0	0	O(Ø 100)
Pyramidal	155	0	0	0	0	X	1	2	X	X	0	O(Ø 100)
Wedge(H)	155	0	0	0	0	X	1	2	X	X	0	O(Ø 100)
Pyramidal	175	0	X	X	0	X	2	2	0	0	0	O(Ø 140)
Wedge(H)	175	0	X	X	0	X	2	2	0	0	0	O(Ø 140)

Demolition Attachment

XB Series Hydraulic Breaker

XB Series is Develon Prime breaker tested in accordance with AEM measuring guide. it provides the best confidence to our customers in performance and quality.



TECHNICAL SPECIFICATIONS

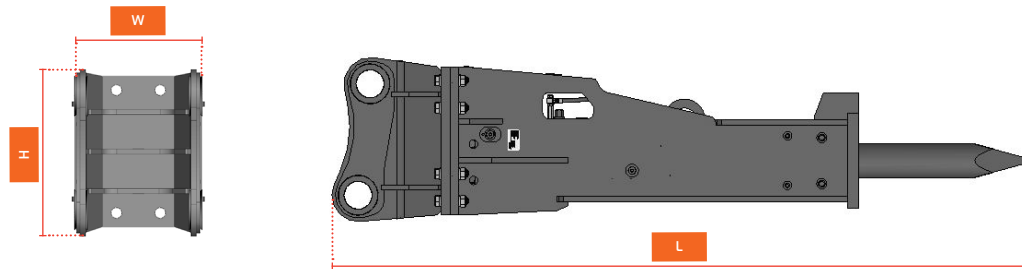
Model	Apply Machine	Bracket Type	Parts no.	Weight [Kg]	Length L [mm]	Width W [mm]	Height H [mm]	Main Valve type	Operating Pressure [bar]	Oil Flow [l/min]	Impact rate [bpm]
XB01	DX19	TOP	230103-00260	110.7	1,207	222	228	Inward	90 ~ 110	15 ~ 25	600 ~ 1,200
			230103-00261			222	228	Inward			
		HOUSING	230103-00262	107.7	1,198	222	228	Inward			
			230103-00263			222	228	Inward			
XB02	DX27Z	TOP	230103-00340	111.7	1,227	222	296	Inward	70 ~ 100	20 ~ 35	700 ~ 1,200
			230103-00341			222	296	Inward			
		HOUSING	230103-00342	108.7	1,218	222	296	Inward			
			230103-00343			222	296	Inward			
	DX27-7M	TOP	230103-00264	111.7	1,207	222	279	Inward			
			230103-00265			222	279	Inward			
		HOUSING	230103-00266	108.7	1,198	222	279	Inward			
			230103-00267			222	279	Inward			
XB03	DX30 ,DX35 DX35-7M	TOP	230103-00268	131.7	1,278	270	327	Inward	90 ~ 110	25 ~ 35	650 ~ 1,100
			230103-00269			270	327	Inward			
		HOUSING	230103-00270	129.7	1,267	270	327	Inward			
			230103-00271			270	327	Inward			
XB04	DX30, DX35 DX35-7M	TOP	230103-00272	165.7	1,324	270	327	Inward	110 ~ 140	30 ~ 50	800 ~ 1,200
			230103-00273			270	327	Inward			
		HOUSING	230103-00274	159.7	1,297	270	327	Inward			
			230103-00275			270	327	Inward			

FEATURE & BENEFITS

- Cover all Develon equipments from small to super heavy sized.
- Reliable Performance certified by AEM
- 3D based design and analysis to optimize structure.
- 2 different bracket options(Top, Housing)
- Standard option for Dual Speed Control system & Anti-Blank Blow
- Centralized auto grease system (Optional)
- Underwater operating Kit(Optional)
- 2 Years Warranty

* REQUIREMENT :

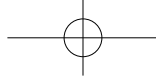
- 1 or 2way piping option is mandatory
- Breaker filter option is recommended



Accessory [Auto Greasing Unit]

Model	Apply Machine	Bracket Type	Parts no.	Weight [Kg]
XB22	DX300LC-7M, DX320LC-7M, DX300LCA-7M	HOUSING	270703-00045	50
XB30	DX300LC-7M, DX320LC-7M, DX300LCA-7M			50
XB45	DX360LC-7M, DX360LCA-7M, DX400LC-7M			50
XB52	DX490LC(A)-7M, DX530LC(A)-7M, DX530LC-5B			50

Chisel		Options					Accessories					
type	Size[A]	Dual Speed	Anti blank Blow	AGS	ACC	Under Water kit	Chisel Q'ty	HOSE Q'ty	N2 KIT	Service tool	Seal kit	Mounting Cap(Ø)
MOIL	45	X	X	X	X	X	2	2	0	0	X	0 (Ø 30)
WEDGE		X	X	X	X	X	2	2	0	0	X	0 (Ø 30)
MOIL		X	X	X	X	X	2	2	0	0	X	0 (Ø 30)
WEDGE		X	X	X	X	X	2	2	0	0	X	0 (Ø 30)
MOIL	45	X	X	X	X	X	2	2	0	0	X	0 (Ø 35)
WEDGE		X	X	X	X	X	2	2	0	0	X	0 (Ø 35)
MOIL		X	X	X	X	X	2	2	0	0	X	0 (Ø 35)
WEDGE		X	X	X	X	X	2	2	0	0	X	0 (Ø 35)
MOIL	45	X	X	X	X	X	2	2	0	0	X	0 (Ø 35)
WEDGE		X	X	X	X	X	2	2	0	0	X	0 (Ø 35)
MOIL		X	X	X	X	X	2	2	0	0	X	0 (Ø 35)
WEDGE		X	X	X	X	X	2	2	0	0	X	0 (Ø 35)
MOIL	50	X	X	X	X	X	2	2	0	0	X	0 (Ø 40)
WEDGE		X	X	X	X	X	2	2	0	0	X	0 (Ø 40)
MOIL		X	X	X	X	X	2	2	0	0	X	0 (Ø 40)
WEDGE		X	X	X	X	X	2	2	0	0	X	0 (Ø 40)
MOIL	55	X	X	X	X	X	2	2	0	0	X	0 (Ø 40)
WEDGE		X	X	X	X	X	2	2	0	0	X	0 (Ø 40)
MOIL		X	X	X	X	X	2	2	0	0	X	0 (Ø 40)
WEDGE		X	X	X	X	X	2	2	0	0	X	0 (Ø 40)



TECHNICAL SPECIFICATIONS

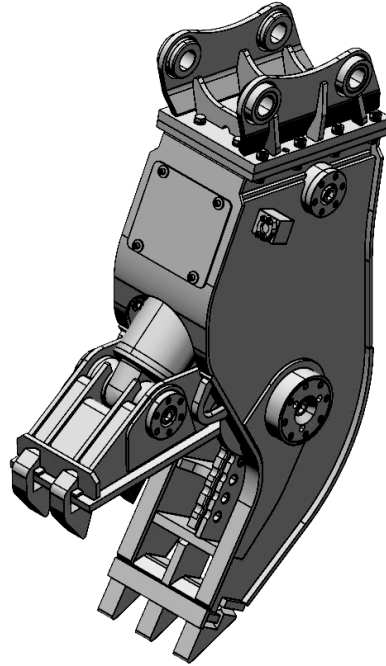
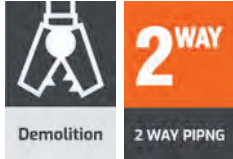
Excavator Attachment

Model	Apply Machine	Bracket Type	Parts no.	Weight [kg]	Length L [mm]	Width W [mm]	Height H [mm]	Main Valve type	Operating Pressure [bar]	Oil Flow [l/min]	Impact rate [bpm]		
XB05	DX53, DX55 DX50-7M DX55-7M DX60, DX63	TOP	230103-00276	277.7	1,639	340	397	Inward	140 ~ 170	35 ~ 65	500 ~ 1,000		
			230103-00277			340	397	Inward					
		HOUSING	230103-00278	277.7	1,634	340	397	Inward					
			230103-00279			340	397	Inward					
XB06	DX53, DX55 DX50-7M DX55-7M DX60, DX63	TOP	230103-00280	335.7	1,855	341	397	Inward	140 ~ 170	45 ~ 90	500 ~ 900		
			230103-00281			341	397	Inward					
		HOUSING	230103-00282	315.7	1,843	340	397	Inward					
			230103-00283			340	397	Inward					
XB06BH	B760 (Bobcat Backhoe)	TOP	230103-00371	338.7	1,851	341	480	Inward	140 ~ 170	45 ~ 90	500 ~ 900		
			230103-00372			341	480	Inward					
		HOUSING	230103-00373	338.7	1,839	340	480	Inward					
			230103-00374			340	480	Inward					
XB10	DX80 DX85-7	TOP	230103-00284	451.7	2,018	400	446	Inward	150 ~ 170	60 ~ 110	400 ~ 850		
			230103-00285			400	446	Inward					
		HOUSING	230103-00286	460.7	2,016	400	446	Inward					
			230103-00287			400	446	Inward					
XB16	DX138 DX140 DX160	TOP	230103-00288	669.7	2,266	400	552	Inward	160 ~ 180	80 ~ 140	450 ~ 750		
			230103-00289			400	552	Inward					
		HOUSING	230103-00290	658.7	2,263	400	552	Inward					
			230103-00291			400	552	Inward					
XB22	DX180, DX190 DX200, DX210, DX220 DX225, DX235, DX255 DX200-7M, DX210-7M DX220-7M, DX225-7M	TOP	230103-00294	1,671.7	2,813	565	735	Inward	140 ~ 180	130 ~ 180	450~600		
			230103-00295			565	735	Inward					
		HOUSING	230103-00296	1,532.0	2,816	495	677	Inward					
			230103-00297			495	690	Inward					
	DX255, DX260	TOP	230103-00298	1,532.0	2,813	495	677	Inward					
			230103-00299			565	735	Inward					
		HOUSING	230103-00300	1,532.0	2,816	565	735	Inward					
			230103-00301			495	677	Inward					
XB30	DX300 DX300-7M DX320-7M	TOP	230103-00304	2,186.7	3,214	590	748	Inward	150 ~ 185	170 ~ 240	400~560		
			230103-00305			590	748	Inward					
		HOUSING	230103-00306	2,094.0	3,175	590	748	Inward					
			230103-00307			590	760	Inward					
	DX340 DX360 DX360-7M DX380 DX400-7M	TOP	230103-00308	2,094.0	3,432	590	748	Inward					
			230103-00309			3,093.7	3,432	650				855	Inward
		HOUSING	230103-00310	2,819.0	3,381	650	855	Inward					
			230103-00311			2,819.0	3,381	650				830	Inward
XB45	DX340 DX360 DX360-7M DX380 DX400-7M	TOP	230103-00312	2,827.7	3,381	650	830	Inward	160 ~ 185	200 ~ 280	380~540		
			230103-00313			2,819.0	3,381	650				830	Inward
		DX420 DX450-7M	TOP	230103-00314	3,127.7	3,487	650	890				Inward	
	230103-00315			3,127.7			3,487	650				890	Inward
	HOUSING		230103-00316	2,853.0	3,436	650	865	Inward					
		230103-00317	2,861.7			3,436	650	865				Inward	
XB52	DX480, DX490, DX500, DX520, DX530, DX490-7M DX530-7M	TOP	230103-00318	2,853.0	3,796	650	865	Inward	165 ~ 185	230 ~ 330	300~420		
			230103-00319			3,826.7	3,796	650				865	Inward
		HOUSING	230103-00320	3,605.0	3,752	650	865	Inward					
			230103-00321			3,605.0	3,752	650				865	Inward
			230103-00322			3,613.7	3,752	650				865	Inward
			230103-00323			3,605.0	3,752	650				865	Inward
XB90	DX650	HOUSING	230103-00324	8,309.0	4,481	1,000	1,130	Inward	150 ~ 185	380 ~ 480	335 ~ 425		
			230103-00325			8,317.7	4,481	1,000				1,130	Inward
			230103-00326			8,309.0	4,481	1,000				1,130	Inward
	DX700 DX800	HOUSING	230103-00327	8,309.0	4,481	1,000	1,130	Inward					
			230103-00328			8,317.7	4,481	1,000				1,130	Inward
			230103-00329			8,309.0	4,481	1,000				1,130	Inward
	DX1000	HOUSING	230103-00330	8,466.0	4,521	1,000	1,098	Inward					
			230103-00331			8,474.7	4,521	1,000				1,098	Inward
			230103-00332	8,466.0	4,521	1,000	1,098	Inward					

Demolition Attachment

FP Series Pulverizer(Fixed)

FP Series is designed for both primary and secondary demolition work. It is ideal for breaking out concrete from fixed structured and separating different materials for recycling.



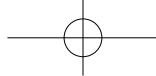
FEATURE & BENEFITS

- Trunnion-supported type cylinder for maximizing breaking force.
- Adjustable Jaw Closing and opening speed
- Apply HB360-600 Grade material on replaceable parts.

* **REQUIREMENT** : 2way piping option is mandatory

TECHNICAL SPECIFICATIONS

Model	Apply Machine	Part no.	Weight [kg]	Length L [mm]	Width W [mm]	Max. Jaw open [mm]	Crushing Force at Outer Tip [ton]	Crushing Force at Cutter blade [ton]	Cutter Blade Length [mm]
FP14	DX138 DX140 DX160	230116-00001	1,100	1,947	1,276	680	56	138	240
FP22	DX180, DX190 DX200, DX210, DX220 DX225, DX235, DX255 DX200-7M, DX210-7M DX220-7M, DX225-7M	230116-00002	1,615	2,346	1,570	732	59	161	240
FP25	DX260	230116-00003	2,130	2,554	1,706	889	70	189	360
FP34	DX300, DX300-7M DX320-7M, DX340 DX360, DX360-7M DX380, DX400-7M	230116-00004	3,045	2,753	1,988	1,061	85	208	360



Excavator Attachment

Demolition Attachment

MP Series Multi Processor

MP Series is designed to cover all demolition working conditions by changing Jaw sets.



CRUSHING



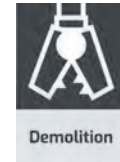
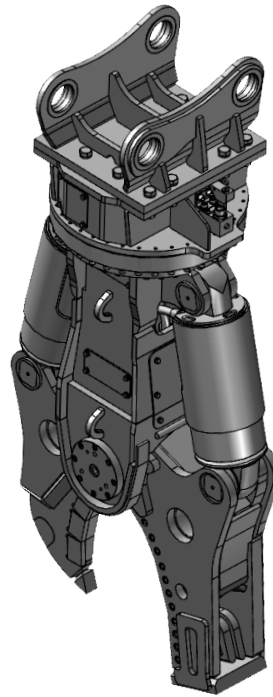
DEMOLITION



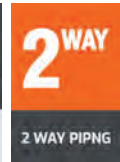
PULVERIZING



SHEARING



Demolition



2 WAY

2 WAY PIPNG



ROTATING PIPING

FEATURE & BENEFITS

- 4 types of Jaws set available.
- 360° Hydraulic rotation
- Adjustable Jaw Closing and opening speed
- Apply HB360-600 Grade material on replaceable parts.

* **REQUIREMENT** : 2way / Rotating piping option is mandatory

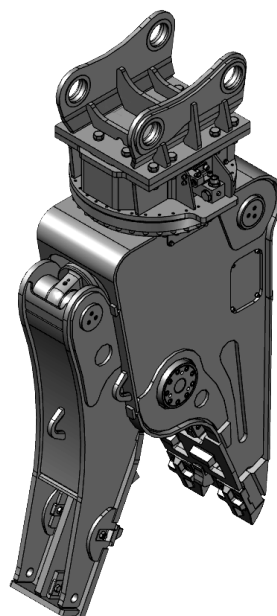
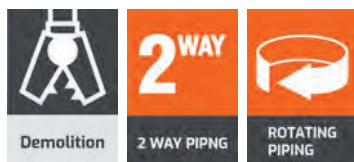
TECHNICAL SPECIFICATIONS

Model	Apply Machine	Part no.	Weight [kg]	Length L [mm]	Width W [mm]	Max. Jaw open [mm]	Crushing Force at Outer Tip [ton]	Crushing Force at Cutter blade [ton]	Cutter Blade Length [mm]
MP14	DX138 DX140 DX160	TBD	Crushing (C)	-	-	-	-	-	-
		TBD	Demolition (D)	-	-	-	-	-	-
		TBD	Pulverizing (P)	-	-	-	-	-	-
		270402-00012	Steel Share (S)	1,225	1,890	989	366	65	319
MP22	DX180, DX190 DX200, DX210, DX220 DX225, DX235, DX255 DX200-7M, DX210-7M DX220-7M, DX225-7M	270402-00001	Crushing (C)	2,040	2,773	1,499	903	68	237
		270402-00002	Demolition (D)	2,050	2,731	1,368	797	70	355
		270402-00003	Pulverizing (P)	2,210	2,785	1,508	893	64	237
		270402-00004	Steel Share (S)	1,880	2,616	1,094	503	80	348
MP34	DX300, DX300-7M DX320-7M, DX340 DX360, DX360-7M DX380, DX400-7M0	270402-00005	Crushing (C)	3,030	3,105	1,729	1,119	95	240
		270402-00006	Demolition (D)	3,000	3,053	1,574	983	101	461
		270402-00007	Pulverizing (P)	3,130	3,006	1,643	1,008	103	240
		270402-00008	Steel Share (S)	2,990	2,976	1,334	573	104	563

Demolition Attachment

RC Series Rotating Crusher

Develon RC Series is designed for primary demolition and secondary concrete reduction. It is ideal for breaking out concrete from fixed structured and separating different materials for recycling.



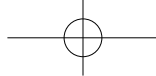
FEATURE & BENEFITS

- Trunnion-supported type cylinder for maximizing breaking force.
- Wide opening jaw for large surface.
- Reversible and exchangeable rectangular blades
- 360° Hydraulic rotation
- Adjustable Jaw Closing and opening speed
- Apply HB360-600 Grade material on replaceable parts.

* **REQUIREMENT** : 2way / Rotating piping option is mandatory

TECHNICAL SPECIFICATIONS

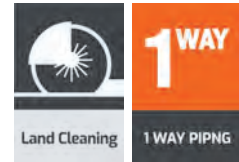
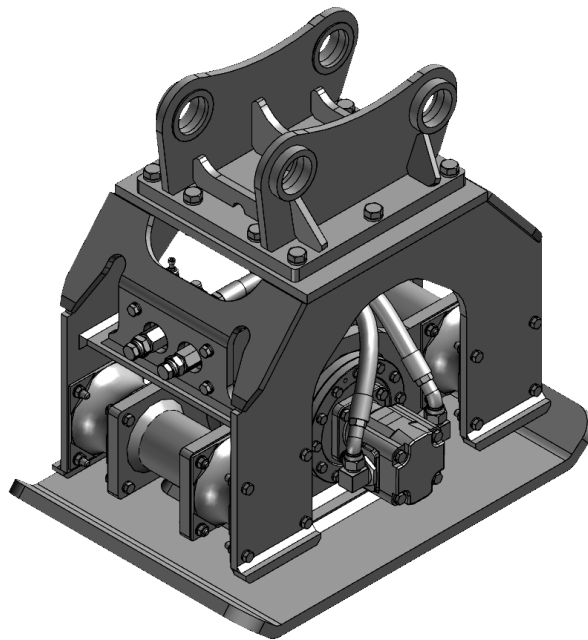
Model	Apply Machine	Part no.	Weight [kg]	Length L [mm]	Width W [mm]	Max. Jaw open [mm]	Crushing Force at Outer Tip [ton]	Crushing Force at Cutter blade [ton]	Cutter Blade Length [mm]
RC14	DX138, DX140, DX160	230116-00005	1,250	2,161	1,203	1,250	720	51	240
RC22	DX180, DX190 DX200, DX210, DX220 DX225, DX235, DX255 DX200-7M, DX210-7M DX220-7M, DX225-7M, DX225	230116-00006	1,780	2,142	1,450	774	732	56	240
RC25	DX260	230116-00007	2,300	2,473	1,715	941	925	67	360
RC34	DX300, DX300-7M DX320-7M, DX340 DX360, DX360-7M DX380, DX400-7M	230116-00008	2,950	3,126	1,840	2,950	1056	78	360
RC36	DX300, DX300-7M DX320-7M, DX340 DX360, DX360-7M DX380, DX400-7M	230116-00010	2,964	2,586	1,699	974	-	-	-



Demolition Attachment

PC Series Plate compactor

Develon PC Series is designed for soil compaction in trenches, foundations or sloop applications.



Excavator Attachment

FEATURE & BENEFITS

- Universal mounting frame.
- Advanced oil bath type
- Replaceable compacting plate.
- Easily accessible grease fitting location.
- Heavy duty gear motor.

* **REQUIREMENT** : 1way piping option is mandatory

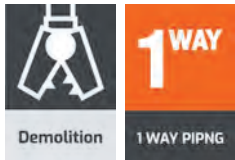
TECHNICAL SPECIFICATIONS

Model	Apply Machine	Part no.	Weight (kg)	Length L (mm)	Width W (mm)	Height H (mm)	Base Plate (WxL)	Compaction area (m ²)	Accessories		
									Mounting Cap	Hose kit	Tool kit
PC05	DX53, DX55, DX50-7M DX55-7M, DX60, DX63	230117-00002	260	745	320	893	320 x 745	0.24	O	O	O
PC08	DX80, DX85-7	230117-00003	430	900	610	893	610 x 900	0.55	O	O	O
PC14	DX138, DX140, DX160	230117-00004	689	1,050	740	1,056	740 x 1050	0.78	O	O	O
PC22	DX180, DX190, DX200, DX210, DX220 DX225, DX235, DX255 DX200-7M, DX210-7M DX220-7M, DX225-7M	270601-00001	1,094	1,200	860	1,281	320 x 745	1.03	O	O	O
PC34	DX300, DX300-7M, DX320-7M, DX340, DX360, DX360-7M, DX380 DX400-7M	270601-00002	1,502	1,300	1,000	1,383	320 x 745	1.03	O	O	O

Demolition Attachment

VR Series Vibro Ripper

Develon Vibrating Ripper is designed for breaking or ripping veined, cracked soft rock such as sandstone shale, coal, gypsum, concrete, slate, limestone and basalt by generating high frequency vibration shock.



FEATURE & BENEFITS

- Higher Productivity & efficiency in fractured rocks
- Protect excavators from vibration and shock by the patented elastomers.
- Durable & Reliable hydraulic motor
- High abrasion resistant steel

* **REQUIREMENT** : 1 or 2way piping option is mandatory

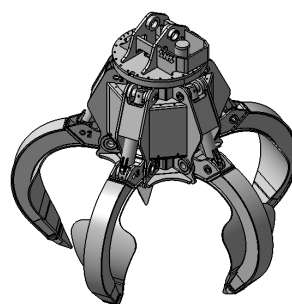
TECHNICAL SPECIFICATIONS

Model	Apply Machine	Part no.	Operating Weight (kg)	Height A (mm)	Length B (mm)	Width C (mm)	Frequency (rpm)	Oil Pressure (kg/cm ²)	Required Oil Flow (l/min)
VR14	DX138 DX140 DX160	270601-00015	1,460	1,985	1,200	760	1,700	250	100-120
VR22	DX200DX210 DX220, DX225 DX235, DX255 DX200-7M DX210-7M DX220-7M DX225-7M	270601-00016	2,520	2,740	1,420	806	1,700	250	120-140
VR34	DX300 DX300-7M DX320-7M	270601-00017	3,310	2,900	1,564	855	1,700	250	180-200
VR36	DX340 DX360 DX360-7M DX380 DX400-7M	TBD	3,390	2,920	1,584	855	1,700	250	180-210
VR42	DX420 DX450-7M	270601-00018	4,690	3,253	1,710	913	1,700	250	260-280
VR50	DX480 DX490 DX500 DX520 DX530 DX490-7M DX530-7M	270601-00019	5,470	3,360	1,782	928	1,700	250	290-310
VR65	DX650	TBD	6,940	3,815	1,910	1,033	1,700	250	320-350
VR80	DX700 DX800	TBD	7,020	3,835	1,930	1,033	1,800	250	320-360

Material Handling Attachment



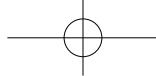
01 Hydraulic Thumb



02 Orange Grapple



03 Stone grappl



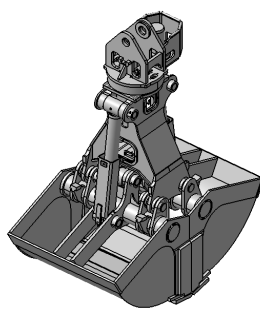
DEVELON



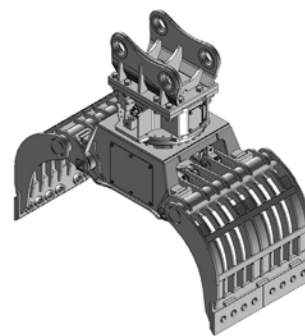
05 Wood Grapple



06 Log Grapple



07 Clamshell bucket



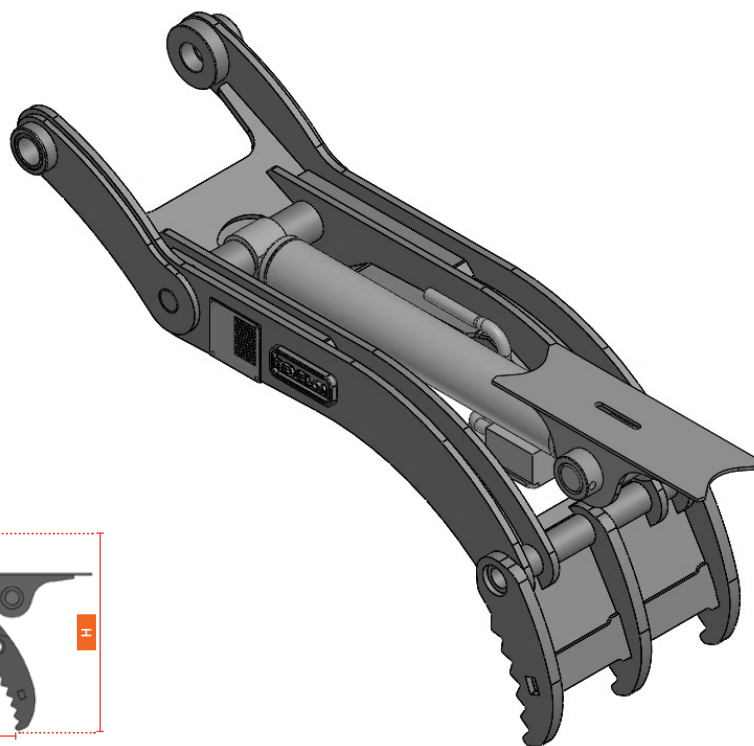
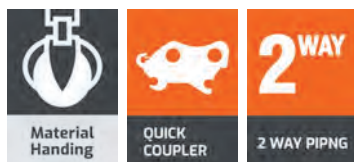
08 Multi Grapple



Material Handling Attachment

HT Series Hydraulic Thumb

HT Series is designed to match HDI Quick coupler and Buckets for transporting or handling stone, scrap, garbage, demolition debris.



FEATURE & BENEFITS

- High strength and wear-resistance steels on main body
- Adopted cushion plunger on cylinder to reduce working vibration.
- Wide range of working angle
- Safety lock valve on Cylinder
- Easy installation.
- Factory installation available.

* REQUIREMENT

: 2 way / Quick coupler piping is mandatory.

Designated Quick coupler / Bucket must be installed together.

TECHNICAL SPECIFICATIONS

Model	Apply Machine	Parts no.	Weight (kg)	Width W (mm)	Length L (mm)	Height H (mm)	Operating pressure (kgf/cm ²)	Oil flow (l/min)	Number of tines	working angle (deg)	Notes
HT02	DX27 DX27-7M	270503-00007	57	127	791	494	170 ~ 250	40 ~ 60	3	136	-
		270503-00007FI									Factory installation
HT05	DX50-7M DX55 DX55-7M	270503-00009	100	118	826	477	190~230	40 ~ 60	3	138	-
		270503-00009FI									Factory installation
HT08	DX80	270503-00011	155	151	850	554	190~230	40 ~ 60	3	150	-
		270503-00011FI									Factory installation
HT14	DX140	270503-00001	325	633	941	525	240	100	4	145	-
HT18	DX180, DX190	270503-00004	550	750	1,115	545	240	110	4	140	-
HT22	DX210 DX220 DX225	270503-00002	595	730	1,256	736	240	110	4	140	-
		270503-00005	610	830	1,538	769	240	110	4	140	-
HT30	DX300(A) DX300-7M DX320-7M	270503-00003	750	1,140	1,673	870	240	120	4	140	-
		270503-00006	730	1,040	1,746	909	240	120	4	140	-

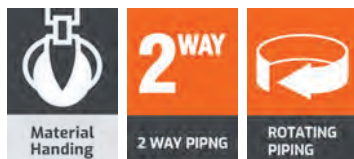
COMBINATION CHART

Thumb		Quick coupler		Bucket				Notes
Model	Part No.	Model	Part No.	Model	Class	Part No	Capacity (m ³)	
HT02	270503-00007 270503-00007FI	EQC02D	270201-00125 270201-00125FI	EGP02-0300	GP	270101-00004	0.052	-
				EGP02-0450	GP	270101-00005	0.089	-
				EGP02-0600	GP	270101-00035	0.12	-
HT05	270503-00009 270503-00009FI	EQC05D	270201-00109 270201-00109FI	EGP05-0300	GP	270101-00010	0.069	-
				EGP05-0450	GP	270101-00011	0.12	-
				EGP05-0600	GP	270101-00037	0.15	-
				EGP05-0900	GP	270101-00013	0.325	-
HT08	270503-00011 270503-00011FI	EQC08D	270201-00133 270201-00133FI	EGP08-0600	GP	270101-00029	0.233	-
				EGP08-0900	GP	270101-00038	0.406	-
HT14	270503-00001	EQC14D	270201-00063	EGP14-800	GP	230104-02549A	0.52	-
				EHD14-900	HD	230104-01200B	0.52	Best combi
HT18	270503-00004	EQC22D	270201-00064	EGP18-1000	GP	230104-02514	0.78	Best combi
				EGP18-1100	GP	230104-01223A	0.80	-
				EHD18-1100	HD	230104-02516	0.82	-
HT22	270503-00002 270503-00005	EQC22D	270201-00064	EGP22-1200	GP	230104-01245E	0.92	Best combi
				EHD22-1050	HD	230104-02272C	0.92	-
				ESD22-1050	SD	230104-02468C	0.91	-
HT30	270503-00003 270503-00006	EQC30D	270201-00065	EGP30-1400	GP	230104-00579	1.27	-
				EHD30-1500	HD	230104-02277B	1.6	-
				ESD30-1500	SD	230104-02480C	1.57	-
				EGP30-1400	HD	230104-02264B	1.47	-

Material Handling Attachment

OG Series Orange Grapple

DEVELON Orange grapples are designed for handling scrap iron and waste.



FEATURE & BENEFITS

- Use high strength and abrasion resistant steel.
- Simple structure and easy maintenance.
- Optimized tine shape for high efficiency.
- 3 different tine option available.
- 360° Hydraulic rotation

Tine type option

Fully closed



Half closed



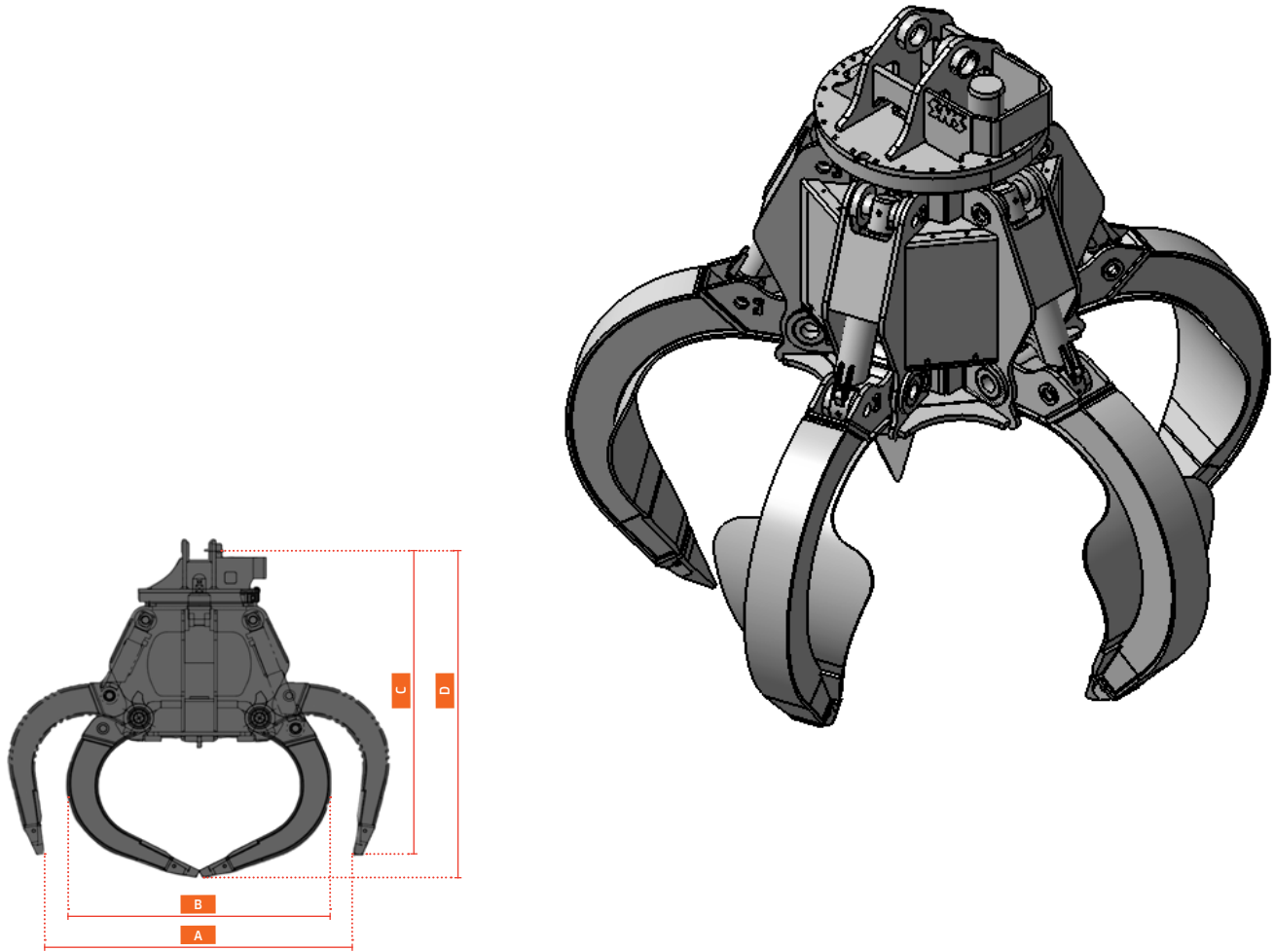
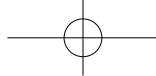
Opened



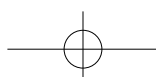
* **REQUIREMENT** : 2way / Rotating piping option is mandatory

TECHNICAL SPECIFICATIONS

Model	Apply Machine	Tine type	Part no.	Mount type	Operating Weight [kg]	Capacity [m ³]	Operating Pressure (Open) [Bar]	Operating Pressure (Close) [Bar]
OG18	DX180,DX190	Half closed	270502-00131	Pendulum	880	0.60	210	210
		Half closed	270502-00129	Pendulum	1,380	0.40	210	290
OG22	DX200, DX210, DX220 DX225, DX235, DX255 DX200-7M, DX210-7M DX220-7M, DX225-7M, DX225	Open	270502-00009	Pendulum	1,100	0.50	210	290
		Half closed	270502-00010	Pendulum	1,300		210	290
		Closed	270502-00011	Pendulum	1,500		210	290
		Half closed	270502-00121	Pendulum	1,450	0.60	210	290
OG30	DX300, DX300-7M DX320-7M, DX340 DX360, DX360-7M DX380, DX400-7M	Open	270502-00012	Pendulum	1,450	0.60	210	290
		Half closed	270502-00013	Pendulum	1,700		210	290
		Closed	270502-00014	Pendulum	1,950		210	290
OG34	DX340, DX360 DX360-7M DX380, DX400-7M0	Open	270502-00015	Pendulum	1,700	0.72	210	290
		Half closed	270502-00016	Pendulum	2,000		210	290
		Half closed	270502-00122	Pendulum	2,317		210	290
		Closed	270502-00017	Pendulum	2,300		210	290
OG42	DX420 DX450-7M	Open	270502-00018	Pendulum	1,750	0.80	210	290
		Half closed	270502-00019	Pendulum	2,080		210	290
		Closed	270502-00020	Pendulum	2,400		210	290



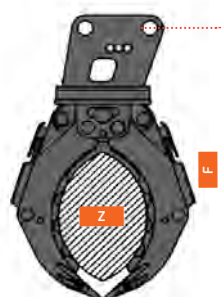
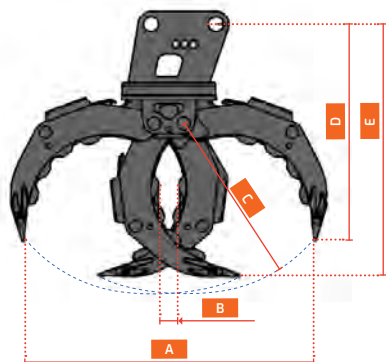
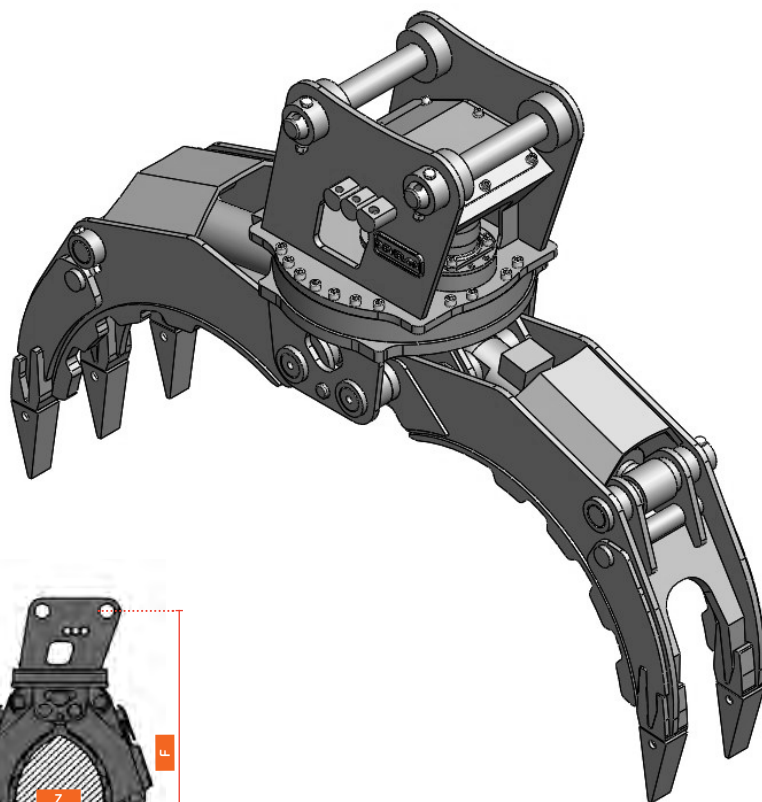
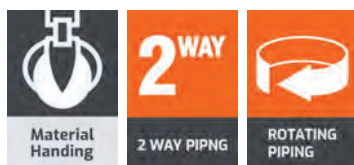
No. of Tine	Closed Force [kgf]	Jaw Opened length A [mm]	Jaw Closed length B [mm]	Jaw Opened Height C [mm]	Jaw Closed Height D [mm]	Motor		Cylinder		
						Require Oil Flow [LPM]	RPM	Closed Length [mm]	Stroke [mm]	Bore Diameter [Ø]
5	10,500	1,600	1,100	1,614	1,808	NON ROTATING	X	-	-	-
5	12,280	1,730	1,340	1,770	2,000	16	12	490	235	65
5	11,060	1,880	1,450	1,840	2,090	16	12	490	235	65
5	11,060	1,880	1,450	1,840	2,090	16	12	490	235	65
5	11,060	1,880	1,450	1,840	2,090	16	12	490	235	65
5	11,060	1,930	1,500	1,810	2,120	16	12	490	235	65
5	13,180	2,000	1,500	1,980	2,200	27	12	520	255	70
5	13,180	2,000	1,500	1,980	2,200	27	12	520	255	70
5	13,180	2,000	1,500	1,980	2,200	27	12	520	255	70
5	16,700	2,210	1,630	2,030	2,220	26	12	577	266	80
5	16,700	2,210	1,630	2,030	2,220	26	12	577	266	80
4	16,700	2,110	1,790	2,130	2,290	26	12	577	266	80
5	16,700	2,210	1,630	2,030	2,220	26	12	577	266	80
5	16,300	2,250	1,690	2,030	2,230	26	12	577	266	80
5	16,300	2,250	1,690	2,030	2,230	26	12	577	266	80
5	16,300	2,250	1,690	2,030	2,230	26	12	577	266	80



Material Handling Attachment

SG Series Stone grapple

Develon SG is designed for transferring or loading stone, scarp, garbage, demolition debris and waste paper in forestry, recycling, landscaping and general construction sites



FEATURE & BENEFITS

- 360° Hydraulic rotation
- Equipped cylinder check for safety.
- Large hydraulic cylinder for superior grapping force.
- High grade material for superior durability.
- Control rotating speed for productivity.

* **REQUIREMENT** : 2way / Rotating piping option is mandatory

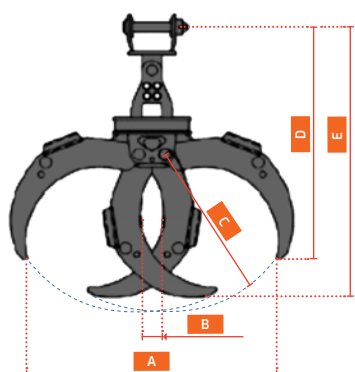
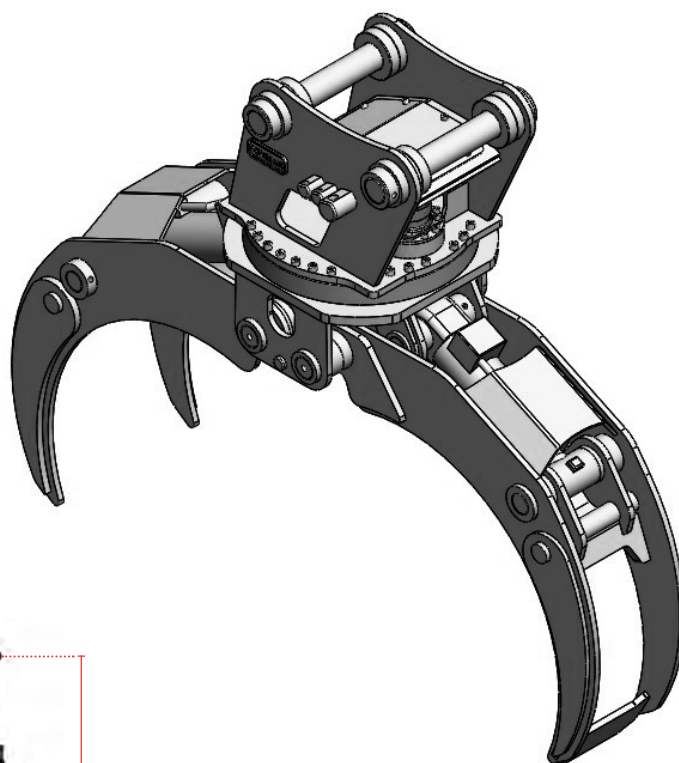
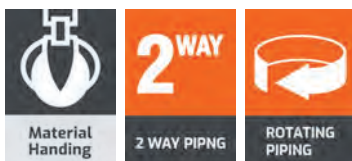
TECHNICAL SPECIFICATIONS

Model	Apply Machine	Part no.	Mount Type	Weight [kg]	Capacity (Z) [m ²]	Jaw Opening (A) [mm]	Pincer		Rotating		Closing Force [ton]	Load Capacity [kg]
							Operating Pressure [bar]	Required Oil Flow [LPM]	Operating Pressure [bar]	Required Oil Flow [LPM]		
SG05L	DX53, DX55 DX50-7M DX55-7M DX60, DX63	270502-00061	LINKAGE	370	0.18	1,300	170~250	40~60	130~150	30~50	22	1,000
SG08L	DX80 DX85-7	270502-00062	LINKAGE	445	0.18	1,400	190~280	40~60	130~150	30~50	28	1,000
SG14L	DX138 DX140 DX160	270502-00063	LINKAGE	760	0.34	1,800	200~350	90~110	140~160	40~60	50	6,000
SG18L	DX180 DX190	270502-00064	LINKAGE	780	0.34	1,800	200~350	90~110	140~160	40~60	50	6,000
SG22L	DX200, DX210 DX220, DX225 DX235, DX255 DX200-7M DX210-7M DX220-7M DX225-7M	270502-00065	LINKAGE	1,235	0.45	2,000	220~350	100~180	150~170	40~60	67	6,000
SG25L	DX255 DX260	270502-00066	LINKAGE	1,260	0.45	2,000	220~350	100~180	150~170	40~60	67	6,000
SG30L	DX300 DX300-7M DX320-7M	270502-00067	LINKAGE	1,685	0.59	2,200	220~350	120~200	150~170	40~60	79	10,000
SG34L	DX340, DX360 DX360-7M DX380 DX400-7M	270502-00068	LINKAGE	1,695	0.62	2,300	220~350	120~200	150~170	40~60	79	13,500
SG42L	DX420 DX450-7M	270502-00069	LINKAGE	2,400	0.78	2,500	220~350	120~200	150~170	40~60	93	16,500
SG50L	DX480, DX490 DX500, DX520 DX530, DX490-7M DX530-7M	270502-00070	LINKAGE	2,575	0.95	2,700	220~350	120~200	150~170	40~60	93	18,000

Material Handling Attachment

WG Series Wood Grapple

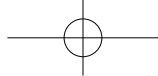
Develon WG is designed for loading or unloading logs in forestry, loading dock and lumberyard.



FEATURE & BENEFITS

- 360° Hydraulic rotation
- Equipped cylinder check for safety.
- Large hydraulic cylinder for superior grapping force.
- High grade material for superior durability.
- Control rotating speed for productivity.
- 2 different linkage options available. (Link / Pendulum)

* **REQUIREMENT** : 2way / Rotating piping option is mandatory



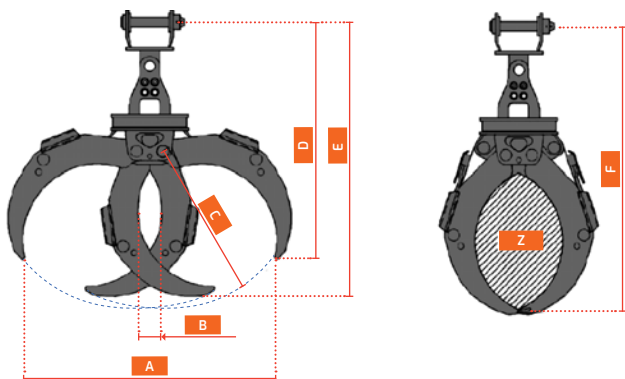
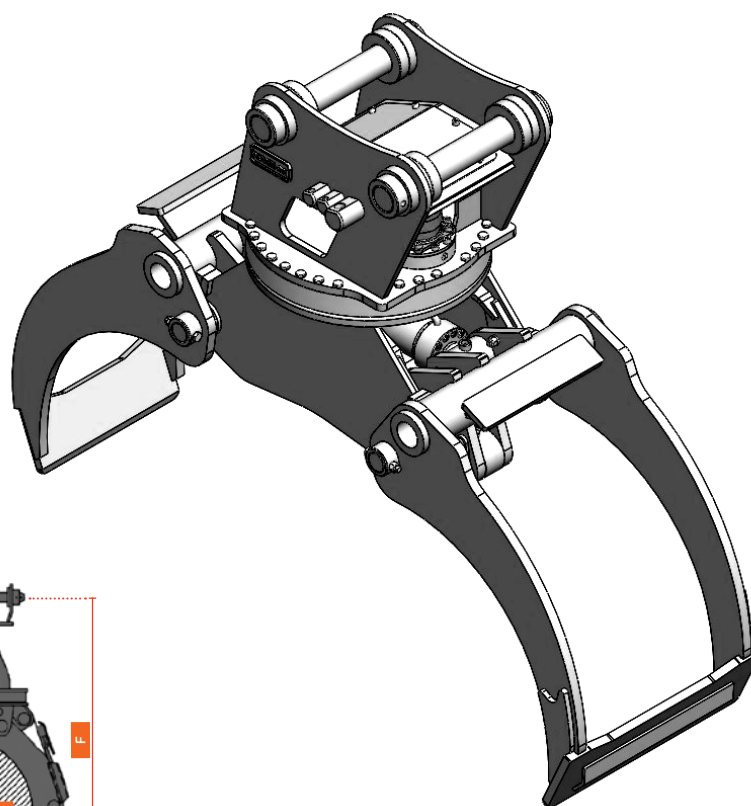
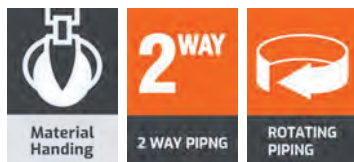
TECHNICAL SPECIFICATIONS

Model	Apply Machine	Part No.	Mount Type	Weight [kg]	Jaw Opening (A) [mm]	Capacity (Z) [m ²]	Pincer		Rotating		Closing Force [ton]	Load Capacity [kg]
							Operating Pressure [bar]	Required Oil Flow [LPM]	Operating Pressure [bar]	Required Oil Flow [LPM]		
WG05L	DX53, DX55, DX50-7M, DX55-7M, DX60, DX63	270502-00071	LINKAGE	340	1,300	0.24	170~250	40~60	130~150	30~50	22	1,000
WG05P	DX53, DX55, DX50-7M, DX55-7M, DX60, DX63	270502-00072	PENDULUM	330	1,300	0.24	170~250	40~60	130~150	30~50	22	1,000
WG08L	DX80, DX85-7	270502-00073	LINKAGE	415	1,400	0.27	190~280	40~60	130~150	30~50	28	1,000
WG08P	DX80, DX85-7	270502-00074	PENDULUM	385	1,400	0.27	190~280	40~60	130~150	30~50	28	1,000
WG14L	DX138, DX140, DX160	270502-00075	LINKAGE	700	1,800	0.48	200~350	90~110	140~160	40~60	50	6,000
WG14P	DX138, DX140, DX160	270502-00076	PENDULUM	630	1,800	0.48	200~350	90~110	140~160	40~60	50	6,000
WG18L	DX180, DX190	270502-00077	LINKAGE	720	1,800	0.48	200~350	90~110	140~160	40~60	50	6,000
WG18P	DX180, DX190	270502-00078	PENDULUM	650	1,800	0.48	200~350	90~110	140~160	40~60	50	6,000
WG22L	DX200, DX210, DX220, DX225, DX235, DX255 DX200-7M, DX210-7M DX220-7M, DX225-7M	270502-00079	LINKAGE	1,135	2,000	0.62	220~350	100~180	150~170	40~60	67	6,000
WG22P	DX200, DX210, DX220, DX225, DX235, DX255 DX200-7M, DX210-7M DX220-7M, DX225-7M	270502-00080	PENDULUM	1,010	2,000	0.62	220~350	100~180	150~170	40~60	67	6,000
WG25L	DX255, DX260	270502-00081	LINKAGE	1,160	2,000	0.62	220~350	100~180	150~170	40~60	67	6,000
WG25P	DX255, DX260	270502-00082	PENDULUM	1,035	2,000	0.62	220~350	100~180	150~170	40~60	67	6,000
WG30L	DX300, DX300-7M DX320-7M	270502-00083	LINKAGE	1,585	2,200	0.75	220~350	120~200	150~170	40~60	79	10,000
WG30P	DX300, DX300-7M DX320-7M	270502-00084	PENDULUM	1,445	2,200	0.75	220~350	120~200	150~170	40~60	79	10,000
WG34L	DX340, DX360, DX360-7M, DX380, DX400-7M	270502-00085	LINKAGE	1,595	2,300	0.75	220~350	120~200	150~170	40~60	79	10,000
WG34P	DX340, DX360, DX360-7M, DX380, DX400-7M	270502-00086	PENDULUM	1,455	2,300	0.75	220~350	120~200	150~170	40~60	79	10,000

Material Handling Attachment

ELG Series Log Grapple

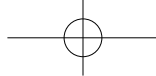
Develon ELG is designed for sorting, loading, unloading and laying timber, log and wood.



FEATURE & BENEFITS

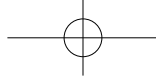
- 360° Hydraulic rotation
- Equipped cylinder check for safety.
- Large hydraulic cylinder for superior grapping force.
- High grade material for superior durability.
- Control rotating speed for productivity.
- 2 different linkage options available. (Link / Pendulum)

* **REQUIREMENT** : 2way / Rotating piping option is mandatory



TECHNICAL SPECIFICATIONS

Model	Apply Machine	Part no.	Mount Type	Weight [kg]	Capacity [m ²]	Grap open width [mm]	Width [mm]
ELG05-P	DX53, DX55 DX50-7M, DX55-7M DX60, DX63	270502-00088	Pendulum	330	0.24	1,300	245 / 350
ELG05-L	DX53, DX55 DX50-7M, DX55-7M DX60, DX63	270502-00087	Link	410	0.24	1,300	425 / 495
ELG08-P	DX80, DX85-7	270502-00090	Pendulum	385	0.27	1,400	260 / 355
ELG08-L	DX80, DX85-7	270502-00089	Link	505	0.27	1,400	450 / 515
ELG14-P	DX138, DX140, DX160	270502-00092	Pendulum	630	0.48	1,800	300 / 465
ELG14	DX138, DX140, DX160	270502-00091	Link	835	0.42	1,800	530 / 610
ELG15-P	DX138, DX140, DX160	270502-00111	Pendulum	502	0.34	1,540	446 / 536
ELG18-P	DX180, DX190	270502-00094	Pendulum	650	0.48	1,800	300 / 465
ELG18-L	DX180, DX190	270502-00093	Link	855	0.42	1,800	530 / 610
ELG20-P	DX200, DX210, DX220 DX225, DX235, DX255 DX200-7M, DX210-7M DX220-7M, DX225-7M	270502-00112	Pendulum	950	0.54	1,990	530 / 626
ELG20-P	DX200, DX210, DX220, DX225, DX235, DX255 DX200-7M, DX210-7M DX220-7M, DX225-7M	270502-00115	Pendulum	910	0.54	1,990	530 / 626
ELG22-P	DX200, DX210, DX220 DX225, DX235, DX255 DX200-7M, DX210-7M DX220-7M, DX225-7M	270502-00096	Pendulum	1,010	0.62	2,000	360 / 600
ELG22-P(H)	DX225LL	270502-00133	Pendulum	-	0.57	-	-
ELG22-L	DX200, DX210, DX220 DX225, DX235, DX255 DX200-7M, DX210-7M DX220-7M, DX225-7M	270502-00095	Link	1,235	0.67	2,000	605 / 700
ELG25-P	DX255, DX260	270502-00098	Pendulum	1,035	0.62	2,000	360 / 600
ELG25-L	DX255, DX260	270502-00097	Link	1,260	0.67	2,000	605 / 700
ELG30-P	DX300, DX300-7M, DX320-7M	270502-00100	Pendulum	1,445	0.75	2,200	420 / 700
ELG30-L	DX300, DX300-7M, DX320-7M	270502-00099	Link	1,715	0.81	2,200	725 / 830
ELG34-P	DX340, DX360, DX360-7M, DX380, DX400-7M	270502-00102	Pendulum	1,455	0.75	2,300	420 / 700
ELG34-L	DX340, DX360 DX360-7M, DX380 DX400-7M	270502-00101	-	1,815	0.88	2,300	730 / 835



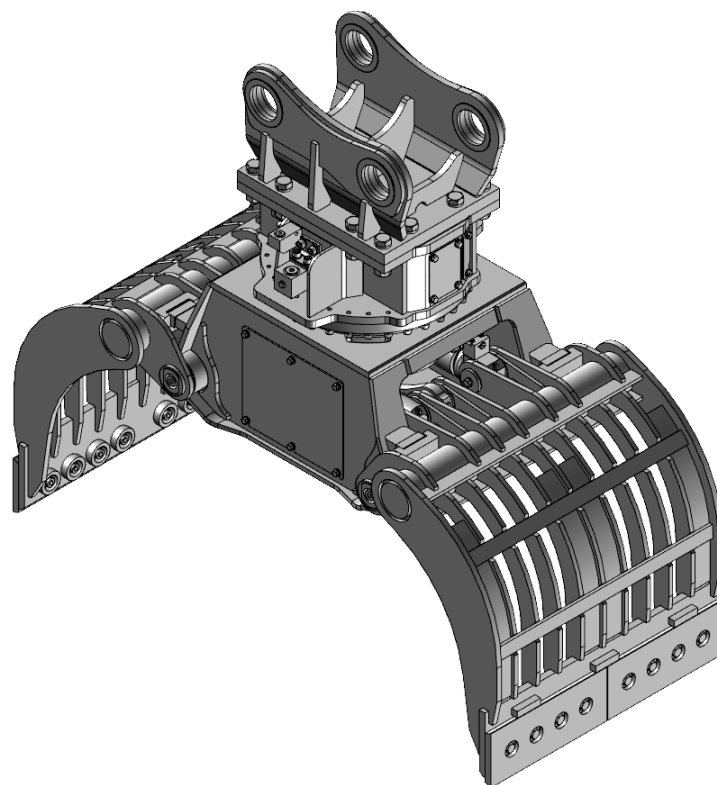
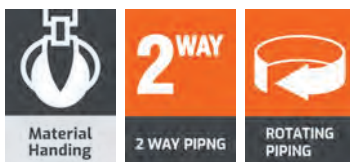
TECHNICAL SPECIFICATIONS

Model	Apply Machine	Part no.	Rotation option	Tooth option	Weight [kg]	Capacity [m ³]	Width [mm]
CB14	DX138 DX140 DX160	230105-00001	Free rotation	General	900	0.37	600
		230105-00002		Sand			
		230105-00003	Hyd. Rotation	General			
		230105-00004		Sand			
CB18	DX180 DX190	230105-00005	Free rotation	General	1,200	0.70	1,100
		230105-00006		Sand			
		230105-00007	Hyd. Rotation	General			
		230105-00008		Sand			
CB22	DX200, DX210, DX220 DX225, DX235, DX255 DX200-7M, DX210-7M DX220-7M, DX225-7M	230105-00009	Free rotation	General	1,440	0.80	900
		230105-00010		Sand			
		230105-00011	Hyd. Rotation	General			
		230105-00012		Sand			
CB25	DX255 DX260	230105-00013	Free rotation	General	1,560	1.00	1,100
		230105-00014		Sand			
		230105-00015	Hyd. Rotation	General			
		230105-00016		Sand			
CB30	DX300 DX300-7M DX320-7M	230105-00017	Free rotation	General	1,920	1.40	1,300
		230105-00018		Sand			
		230105-00019	Hyd. Rotation	General			
		230105-00020		Sand			
CB34	DX340, DX360 DX360-7M, DX380 DX400-7M	230105-00021	Free rotation	General	2,040	1.50	1,400
		230105-00022		Sand			
		230105-00023	Hyd. Rotation	General			
		230105-00024		Sand			
CB42	DX420 DX450-7M	230105-00025	Free rotation	General	2,220	1.55	1,100
		230105-00026		Sand			
		230105-00027	Hyd. Rotation	General			
		230105-00028		Sand			
CB50	DX480, DX490, DX500, DX520, DX530, DX490-7M, DX530-7M	230105-00029	Free rotation	General	2,280	1.70	1,200
		230105-00030		Sand			
		230105-00031	Hyd. Rotation	General			
		230105-00032		Sand			
CB80	DX700 DX800	270601-00037	Hyd. Rotation	General	2,410	2.00	1,210

Material Handling Attachment

MG Series Multi Grapple

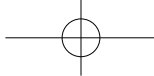
Develon MG Series is desinged for selective demolition, sorting of recyclable material and loading of various materials.



FEATURE & BENEFITS

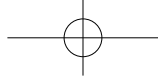
- 360° Hydraulic rotation
- Two cylinders applied for high performance.
- Double motor system.
- Apply HB360~400 Grade material on on wear parts

* **REQUIREMENT** : 2way / Rotating piping option is mandotory



TECHNICAL SPECIFICATIONS

Model	Apply Machine	Part no.	Weight [kg]	Capacity [liter]	Grap width [mm]	Grap open [mm]
MG05	DX53, DX55 DX50-7M, DX55-7M DX60, DX63	270502-00001	481	230	600	1,533
MG08	DX80, DX85-7	270502-00002	640	320	700	1,736
MG14	DX138,DX140, DX160	270502-00003	1,204	430	900	1,748
MG22	DX180, DX190, DX200, DX210, DX220, DX225, DX235, DX255 DX200-7M, DX210-7M DX220-7M, DX225-7M	270502-00004	1,734	620	1,000	2,050
MG34	DX300, DX300-7M DX320-7M, DX340, DX360, DX360-7M, DX380, DX400-7M	270502-00005	2,687	995	1,250	2,285

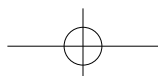


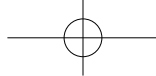
Wheel Loader Attachments (DL)

• EXCAVATION

• CONNECTION

• METEIRAL HANDLING

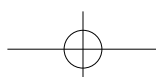




DEVELON



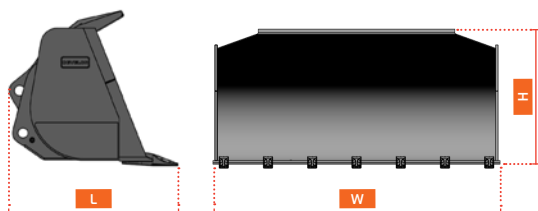
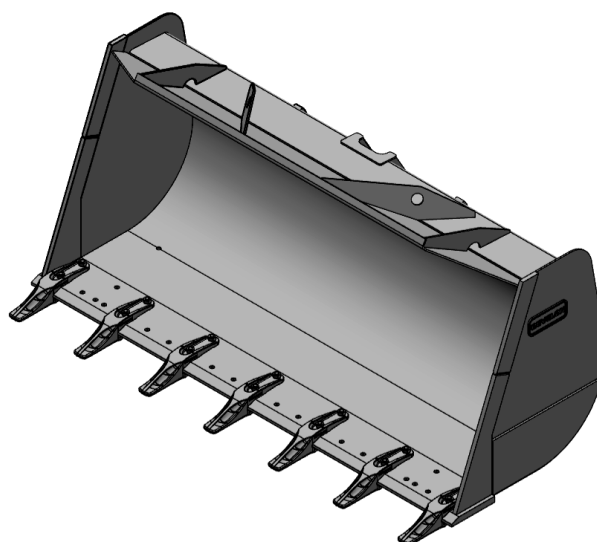
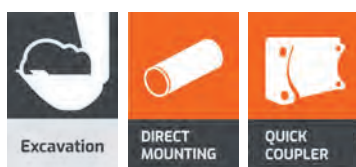
DEVELON's portfolio of attachments is designed to work in all types of working application. The new range of DEVELON attachments which is offered, is developed based on customer's requirements based on customer's requirements and satisfaction criteria through worldwide market feedback. Develon attachments line-up consists of Excavation, Connection and Material handling.



Excavation Attachment

WGP Series General Purpose

Develon General Purpose bucket are designed for general excavating & loading of natural ground, construction materials.

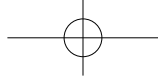


TECHNICAL SPECIFICATIONS

Model	Apply Machine	Parts no.	Mount Type	Weight [kg]	Capacity [m3]	Width W [mm]	Length L [mm]	Height H [mm]	GET Type	Notes
WGP20-2500	DL200(A)	230104-01395C	DM	818	2.0	2,550	1,329	1,209	Tooth(Mono)	-
		230104-01397C	DM	876	2.1	2,550	1,232	1,203	Cutting Edge	-
WGP20-2500Q		230104-02144	QC	779	2.0	2,475	-	-	Tooth & Adapter	-
WGP20-2500	DL200A-7M	230104-01566B	DM	797	1.9	2,550	1,269	1,200	Tooth(Mono)	-
		230104-01513B	DM	855	2.0	2,550	1,172	1,194	Cutting Edge	-
		230104-04509A	DM	855	2.2	2,550	1,356	1,262	Tooth(Mono)	-
		230104-04512A	DM	914	2.3	2,550	1,262	1,256	Cutting Edge	-
WGP25-2500	DL250(A)	230104-00887G	DM	1,035	2.5	2,550	1,502	1,364	Tooth(Mono)	-
		230104-00889G	DM	1,147	2.6	2,550	1,397	1,358	Cutting Edge	-
WGP25-2700		230104-00492H	DM	1,058	2.5	2,740	1,448	1,328	Tooth(Mono)	-
WGP25-2800	DL250-7M	230104-00493H	DM	1,174	2.6	2,740	1,343	1,322	Cutting Edge	-
		230104-00511G	DM	1,136	3.0	2,838	1,537	1,388	Tooth(Mono)	-
WGP25-2700Q		230104-00512G	DM	1,258	3.1	2,838	1,432	1,382	Cutting Edge	-
		230104-02145	QC	1,050	2.5	2,740	-	-	Tooth & Adapter	-
WGP25-2700	DL250-7M	230104-01493B	DM	965	2.4	2,740	1,388	1,296	Tooth(Mono)	-
		230104-01495B	DM	1,080	2.5	2,740	1,283	1,291	Cutting Edge	-
WGP25-2800		230104-04471	DM	1,133	3.0	2,838	1,562	1,388	Tooth(Mono)	-
		230104-04473	DM	1,249	3.1	2,838	1,457	1,382	Cutting Edge	-

TECHNICAL SPECIFICATIONS

Model	Apply Machine	Parts no.	Mount Type	Weight [kg]	Capacity [m ³]	Width W [mm]	Length L [mm]	Height H [mm]	GET Type	Notes
WGP32-3000		230104-03954A	DM	1,525	3.3	3,000	1,600	1,449	Tooth & Adapter	-
		230104-04308	DM	1,488	3.3	3,000	1,539	1,442	Tooth(Mono)	-
		230104-03956	DM	1,666	3.5	3,000	1,399	1,438	Cutting Edge	-
		230104-03432B	DM	1,974	3.7	3,000	1,551	1,611	Cutting Edge	MH
		230104-03435B	DM	2,030	3.7	3,000	1,763	1,623	Tooth & Adapter	MH
		230104-03440B	DM	1,985	3.7	3,000	1,551	1,616	Cutting Edge	MH/WC
		230104-03461B	DM	2,043	3.7	3,000	1,736	1,620	Cutting Edge	MH/WC
		230104-00724G	DM	1,890	3.7	3,040	1,733	1,493	Tooth & Adapter	-
WGP42-3200	DL420(A)	230104-00726E	DM	2,017	3.9	3,040	1,521	1,483	Cutting Edge	-
		230104-00220E	DM	2,025	3.9	3,200	1,670	1,482	Tooth(Mono)	-
		230104-00217G	DM	2,053	3.9	3,200	1,732	1,493	Tooth & Adapter	-
		230104-02819A	DM	2,256	4.0	3,270	1,801	1,647	Tooth(Mono)	MH
		230104-02878	DM	2,266	4.0	3,270	1,801	1,651	Tooth(Mono)	MH/WC
		230104-00721G	DM	2,077	4.0	3,270	1,732	1,493	Tooth & Adapter	-
		230104-02724B	DM	2,293	4.0	3,270	1,863	1,663	Tooth & Adapter	MH
		230104-02825	DM	2,306	4.0	3,270	1,836	1,661	Tooth & Adapter	MH/WC
		230104-00718G	DM	2,142	4.3	3,200	1,822	1,501	Tooth & Adapter	-
		230104-00952E	DM	2,100	4.0	3,270	1,709	1,492	Tooth & Adapter	WC
		230104-00227E	DM	2,172	4.1	3,200	1,520	1,483	Cutting Edge	-
		230104-00723E	DM	2,230	4.2	3,270	1,520	1,483	Cutting Edge	-
		230104-02725B	DM	2,420	4.2	3,270	1,651	1,650	Cutting Edge	MH
		230104-02827	DM	2,440	4.2	3,270	1,651	1,653	Cutting Edge	MH/WC
		230104-02726B	DM	2,478	4.2	3,270	1,863	1,663	Tooth & Adapter	MH
		230104-02828	DM	2,491	4.2	3,270	1,835	1,658	Tooth & Adapter	MH/WC
		230104-00720E	DM	2,284	4.5	3,200	1,673	1,500	Cutting Edge	-
		230104-00953E	DM	2,160	4.2	3,270	1,583	1,488	Cutting Edge	WC
		230104-00219G	DM	2,235	4.1	3,200	1,795	1,493	Tooth & Adapter	-
		230104-01797C	DM	2,261	4.2	3,270	1,771	1,492	Tooth & Adapter	WC
WGP42-3200Q		270105-00006	QC	2,273	4.2	3,200	-	-	Tooth & Adapter	-
WGP42-3300		230104-02763A	DM	2,376	4.5	3,354	1,975	1,715	Tooth & Adapter	MH
		230104-02837	DM	2,391	4.5	3,354	1,948	1,712	Tooth & Adapter	MH/WC
		230104-02797A	DM	2,360	4.5	3,354	1,913	1,705	Tooth(Mono)	MH
		230104-02879	DM	2,350	4.5	3,354	1,913	1,705	Tooth(Mono)	MH/WC
		230104-02782A	DM	2,512	4.7	3,354	1,763	1,703	Cutting Edge	MH
		230104-02839	DM	2,527	4.7	3,354	1,763	1,703	Cutting Edge	MH/WC
		230104-02783A	DM	2,561	4.7	3,354	1,975	1,715	Tooth & Adapter	MH
		230104-02842	DM	2,575	4.7	3,354	1,948	1,714	Tooth & Adapter	MH/WC
WGP42-3400		230104-01398C	DM	2,287	4.5	3,422	1,913	1,508	Tooth(Mono)	-
WGP42-3300Q		230104-02148	QC	2,080	3.9	3,297	-	-	Tooth & Adapter	-



Model	Apply Machine	Parts no.	Mount Type	Weight [kg]	Capacity [m ³]	Width W [mm]	Length L [mm]	Height H [mm]	GET Type	Notes
WGP42-3200		230104-04430A	DM	2,008	3.9	3,200	1,733	1,487	Tooth(Mono)	-
		230104-04431A	DM	2,173	4.1	3,200	1,583	1,483	Cutting Edge	-
WGP42-3300	DL420(A)-7M	230104-03852B	DM	2,435	4.2	3,270	1,713	1,650	Cutting Edge	MH
		230104-03858B	DM	2,481	4.2	3,270	1,925	1,660	Tooth & Adapter	MH
		230104-03860B	DM	2,438	4.2	3,270	1,713	1,657	Cutting Edge	MH/WC
		230104-03863B	DM	2,495	4.2	3,270	1,898	1,658	Tooth & Adapter	MH/WC
		230104-04640	DM	2,395	4.5	3,354	1,975	1,719	Tooth & Adapter	MH
		230104-03855B	DM	2,525	4.7	3,354	1,763	1,707	Cutting Edge	MH
		230104-03866B	DM	2,563	4.7	3,354	1,975	1,720	Tooth & Adapter	MH
		230104-03868B	DM	2,528	4.7	3,354	1,763	1,712	Cutting Edge	MH/WC
		230104-03871B	DM	2,577	4.7	3,354	1,946	1,711	Tooth & Adapter	MH/WC
		230104-03928B	DM	2,805	5.0	3,320	1,833	1,817	Cutting Edge	MH
		230104-03884C	DM	2,818	5.0	3,320	1,833	1,822	Cutting Edge	MH/WC
		230104-03875C	DM	2,828	5.0	3,300	2,045	1,822	Tooth & Adapter	MH
		230104-03881C	DM	2,841	5.0	3,300	2,016	1,826	Tooth & Adapter	MH/WC
		WGP42-3200Q		270105-00009	QC	2,073	4.2	3,268	-	-
WGP42-3400	DL500	230104-00237	DM	2,229	4.3	3,404	1,725	1,625	Tooth & Adapter	-
		230104-00240	DM	2,355	4.5	3,404	1,530	1,622	Cutting Edge	-
		230104-00233	DM	2,430	4.8	3,404	1,864	1,723	Tooth & Adapter	-
		230104-00235	DM	2,388	4.8	3,404	1,821	1,718	Tooth(Mono)	-
		230104-00236	DM	2,632	5.1	3,404	1,878	1,723	Tooth & Adapter	-
		230104-00239	DM	2,556	5.1	3,404	1,677	1,719	Cutting Edge	-
WGP42-3400Q		230104-02149	QC	2,500	4.8	3,418	-	-	Tooth & Adapter	-
WGP42-3400	DL550 DL550-5 DL580-5	230104-00537H	DM	2,546	5.0	3,404	1,888	1,682	Tooth & Adapter	-
		230104-00386K	DM	2,636	5.4	3,404	1,996	1,705	Tooth & Adapter	-
		230104-00930G	DM	2,660	5.4	3,404	1,973	1,750	Tooth & Adapter	WC
		230104-00540H	DM	2,476	5.0	3,404	1,821	1,718	Tooth(Mono)	-
		230104-01653E	DM	2,653	5.4	3,404	1,935	1,742	Tooth(Mono)	-
		230104-00388K	DM	2,775	5.7	3,404	1,785	1,741	Cutting Edge	-
		230104-00539H	DM	2,672	5.2	3,404	1,677	1,719	Cutting Edge	-
		230104-00931G	DM	2,773	5.7	3,404	1,785	1,747	Cutting Edge	-
		230104-00541H	DM	2,706	5.2	3,404	1,886	1,730	Tooth & Adapter	-
		230104-01836C	DM	2,838	5.7	3,404	1,997	1,754	Tooth & Adapter	-
		230104-01837C	DM	2,853	5.7	3,404	1,971	1,751	Tooth & Adapter	WC
WGP42-3400Q		230104-02150	QC	2,652	5.4	3,418	-	-	Tooth(Mono)	

*** Notes**

- Order right bucket after checking, Model, Mount type(QC/DM) and SPEC
- QC : Quick Coupler type / DM : Direct mount type

TECHNICAL SPECIFICATIONS

Model	Apply Machine	Parts no.	Mount Type	Weight [kg]	Capacity [m ³]	Width W [mm]	Length L [mm]	Height H [mm]	GET Type	Notes
WGP42-3300	DL420(A)	230104-02763A	DM	2,376	4.5	3,354	1,975	1,715	Tooth & Adapter	MH
		230104-02837	DM	2,391	4.5	3,354	1,948	1,712	Tooth & Adapter	MH/WC
		230104-02797A	DM	2,360	4.5	3,354	1,913	1,705	Tooth(Mono)	MH
		230104-02879	DM	2,350	4.5	3,354	1,913	1,705	Tooth(Mono)	MH/WC
		230104-02782A	DM	2,512	4.7	3,354	1,763	1,703	Cutting Edge	MH
		230104-02839	DM	2,527	4.7	3,354	1,763	1,703	Cutting Edge	MH/WC
		230104-02783A	DM	2,561	4.7	3,354	1,975	1,715	Tooth & Adapter	MH
		230104-02842	DM	2,575	4.7	3,354	1,948	1,714	Tooth & Adapter	MH/WC
WGP42-3400		230104-01398C	DM	2,287	4.5	3,422	1,913	1,508	Tooth(Mono)	-
WGP42-3300Q		230104-02148	QC	2,080	3.9	3,297	-	-	Tooth & Adapter	-
WGP42-3200		230104-04430A	DM	2,008	3.9	3,200	1,733	1,487	Tooth(Mono)	-
		230104-04431A	DM	2,173	4.1	3,200	1,583	1,483	Cutting Edge	-
WGP42-3300	DL420(A)-7M	230104-03852B	DM	2,435	4.2	3,270	1,713	1,650	Cutting Edge	MH
		230104-03858B	DM	2,481	4.2	3,270	1,925	1,660	Tooth & Adapter	MH
		230104-03860B	DM	2,438	4.2	3,270	1,713	1,657	Cutting Edge	MH/WC
		230104-03863B	DM	2,495	4.2	3,270	1,898	1,658	Tooth & Adapter	MH/WC
		230104-04640	DM	2,395	4.5	3,354	1,975	1,719	Tooth & Adapter	MH
		230104-03855B	DM	2,525	4.7	3,354	1,763	1,707	Cutting Edge	MH
		230104-03866B	DM	2,563	4.7	3,354	1,975	1,720	Tooth & Adapter	MH
		230104-03868B	DM	2,528	4.7	3,354	1,763	1,712	Cutting Edge	MH/WC
		230104-03871B	DM	2,577	4.7	3,354	1,946	1,711	Tooth & Adapter	MH/WC
		230104-03928B	DM	2,805	5.0	3,320	1,833	1,817	Cutting Edge	MH
		230104-03884C	DM	2,818	5.0	3,320	1,833	1,822	Cutting Edge	MH/WC
		230104-03875C	DM	2,828	5.0	3,300	2,045	1,822	Tooth & Adapter	MH
		230104-03881C	DM	2,841	5.0	3,300	2,016	1,826	Tooth & Adapter	MH/WC
		WGP42-3200Q		270105-00009	QC	2,073	4.2	3,268	-	-
WGP42-3400	DL500	230104-00237	DM	2,229	4.3	3,404	1,725	1,625	Tooth & Adapter	-
		230104-00240	DM	2,355	4.5	3,404	1,530	1,622	Cutting Edge	-
		230104-00233	DM	2,430	4.8	3,404	1,864	1,723	Tooth & Adapter	-
		230104-00235	DM	2,388	4.8	3,404	1,821	1,718	Tooth(Mono)	-
		230104-00236	DM	2,632	5.1	3,404	1,878	1,723	Tooth & Adapter	-
		230104-00239	DM	2,556	5.1	3,404	1,677	1,719	Cutting Edge	-
WGP42-3400Q		230104-02149	QC	2,500	4.8	3,418	-	-	Tooth & Adapter	-
WGP42-3400	DL550 DL550-5 DL580-5	230104-00537H	DM	2,546	5.0	3,404	1,888	1,682	Tooth & Adapter	-
		230104-00386K	DM	2,636	5.4	3,404	1,996	1,705	Tooth & Adapter	-
		230104-00930G	DM	2,660	5.4	3,404	1,973	1,750	Tooth & Adapter	WC
		230104-00540H	DM	2,476	5.0	3,404	1,821	1,718	Tooth(Mono)	-
		230104-01653E	DM	2,653	5.4	3,404	1,935	1,742	Tooth(Mono)	-
		230104-00388K	DM	2,775	5.7	3,404	1,785	1,741	Cutting Edge	-
		230104-00539H	DM	2,672	5.2	3,404	1,677	1,719	Cutting Edge	-
		230104-00931G	DM	2,773	5.7	3,404	1,785	1,747	Cutting Edge	-
		230104-00541H	DM	2,706	5.2	3,404	1,886	1,730	Tooth & Adapter	-
		230104-01836C	DM	2,838	5.7	3,404	1,997	1,754	Tooth & Adapter	-
		230104-01837C	DM	2,853	5.7	3,404	1,971	1,751	Tooth & Adapter	WC
WGP42-3400Q		230104-02150	QC	2,652	5.4	3,418	-	-	Tooth(Mono)	-

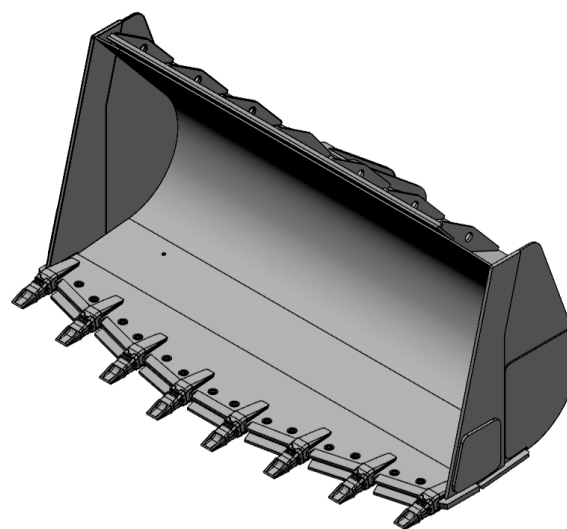
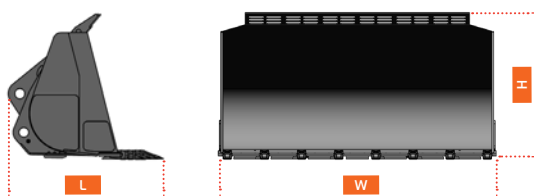
*** Notes**

- Order right bucket after checking, Model, Mount type(QC/DM) and SPEC
- QC : Quick Coupler type / DM : Direct mount type

Excavation Attachment

WVR Series Rock Bucket

Develon WVR Series is designed for digging and loading for hard material mound of blasted & crushed rock and advantage of maximum breakout force and durability.



FEATURE & BENEFITS

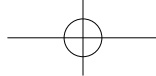
- Increased number of ribs to reinforce bucket body.
- V shape structure for superior penetration.
- Edge-saver projectors as standard.
- High abrasion resistant steel.

TECHNICAL SPECIFICATIONS

Model	Apply Model	Parts no.	Mount Type	Capacity [m ³]	Weight [kg]	Width W [mm]	Length L [mm]	Height H [mm]	GET Type
WVR42-3200	DL420(A) DL420(A)-7M	230115-00012G	DM	3.5	2,344	3,230	1,855	1,501	Tooth & Adapter
WVR42-3300	DL420(A) DL420(A)-7M	270108-00003	DM	3.9	2,720	3,300	2,095	1,500	Tooth & Adapter
WVR42-3300Q	DL420(A) DL420(A)-7M	270108-00004	QC	3.9	2,720	3,300	2,015	1,490	Tooth & Adapter
WVR45-3300Q	DL450	230115-00019	QC	4.5	3,000	3,350	-	-	Tooth & Adapter
WVR50-3300	DL500	230115-00009A	DM	4.5	2,781	3,330	1,957	1,786	Tooth & Adapter
WVR50-3400	DL550, DL550-5 DL580-5	230115-00010G	DM	4.5	2,813	3,442	1,936	1,814	Tooth & Adapter
WVR50-3500Q	DL550, DL550-5 DL580-5	270108-00005	QC	4.8	3,250	3,500	2,140	1,780	Tooth & Adapter
WVR50-3500Q	DL550, DL550-5 DL580-5	270108-00006	QC	5.4	2,652	3,500	2,240	1,780	Tooth & Adapter
WVR50-3400	DL550, DL550-5 DL580-5	230104-02057C	DM	5.7	3,135	3,442	2,136	182	Tooth & Adapter

*** Notes**

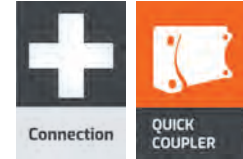
- Order right bucket after checking, Model, Mount type(QC/DM) and SPEC
- QC : Quick Coupler type / DM : Direct mount type



Connection Attachment

WQC Series Quick Coupler

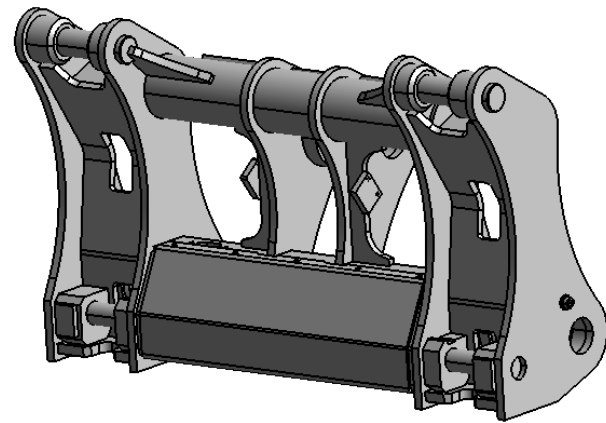
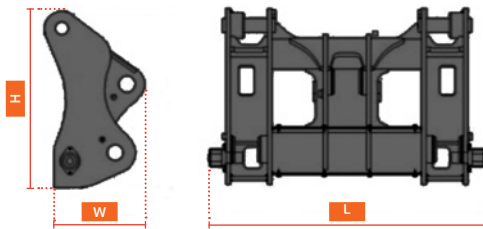
Develon WQC Series is designed for quick and safe change attachments in seconds without leaving the cab.



FEATURE & BENEFITS

- Jumper hose kit included to connect loader QC lines to coupler
- High strength steel is used throughout the unit
- Open design provides maximum visibility
- Visual locking indicators.
- Safety check valve

*** REQUIREMENT :** Quick coupler piping option is mandatory



TECHNICAL SPECIFICATIONS

Model	Apply Machine	Part No.	Weight (kg)	Length L (mm)	Width W (mm)	Height H (mm)	Safety Check Valve	Accessories
								*Jumping Hose
WQC20	DL200(A)	270201-00020	395	1,490	425	770	X	O
WQC20-TC	DL200TC	270202-00001	395	1,490	425	770	O	O
WQC20-7M	DL200(A)-7M	270201-00097	395	1,490	425	770	X	O
WQC20-7M	DL200(A)-7M	270201-00135	395	1,490	425	770	O	O
WQC25	DL250(A)	270201-00021	415	1,530	498	787	X	O
WQC25-TC	DL250TC	270202-00002	415	1,530	498	787	X	O
WQC25-7M	DL250(A)-7M	270201-00098	415	1,530	498	787	X	O
WQC25-7M	DL250(A)-7M	270201-00136	415	1,530	498	787	O	O
WQC30	DL300(A)	270201-00022	410	1,576	478	787	X	O
WQC30-7M	DL320(A)-7M	270201-00099	410	1,576	478	787	X	O
WQC30-7M	DL320(A)-7M	270201-00137	410	1,576	478	787	O	O
WQC42	DL420(A), DL420(A)-7M	270201-00023	705	1,595	582	1,035	X	O
WQC45	DL450	270201-00024	705	1,595	582	1,035	X	O
WQC55	DL550, DL550-5, DL580-5	270201-00025	1,100	1,748	587	1,025	X	O
WQC55-BH	DL550-5 BH	270202-00003	1,182	1,768	602	1,070	X	O

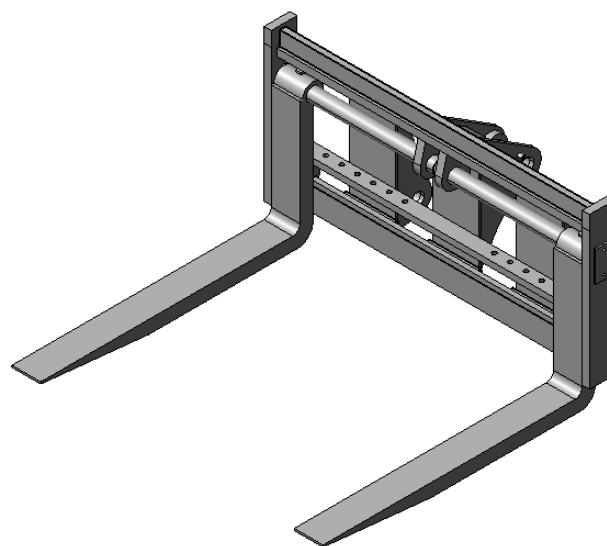
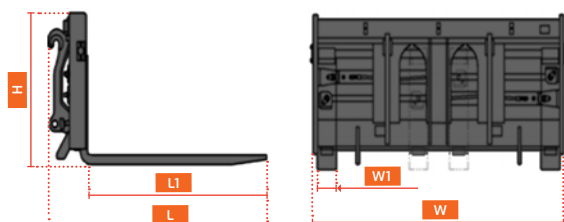
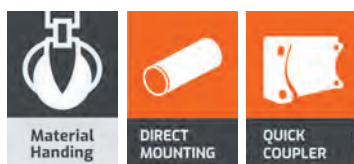
* Notes

- DL200/DL250 does not have QC piping factory option. required to place an order for QC piping kit together (P/N:270801-00720)
- Safety check valve is located on cylinder to retain the attachment in case of cylinder failure.
- Jumping Hose : Hoses from Arm end to QC

Material Handling Attachment

WPF Series Pallet Fork

Develon WPF Series is designed to move pallets or other materials such as pipes, steel frames, concrete blocks and so on.

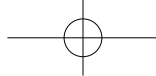


FEATURE & BENEFITS

- Maximum visibility to increase work efficiency.
- Available in various fork lengths
- Manual Adjustable Tines

TECHNICAL SPECIFICATIONS

Model	Apply Model	Parts no.	Mount Type	Weight [kg]	Operating Width [mm]	Width W [mm]	Width W1 [mm]	Height H [mm]	Length L [mm]	Length L1 [inch]
WPF30-72Q	DL300(A), DL320(A)-7M	270501-00011	QC	1,250	600 ~ 2,160	2,108	180	1,165	2,180	72
WPF42-60Q	DL420(A), DL420(A)-7M	270501-00007	QC	1,710	600 ~ 2,160	2,260	200	1,300	2,170	60
WPF42-60	DL420(A), DL420(A)-7M	270501-00021	DM	1,630	600 ~ 2,160	2,260	200	1,300	1,867	60
WPF42-72	DL420(A), DL420(A)-7M	270501-00026	DM	1,715	600 ~ 2,160	2,260	200	1,205	2,154	72
WPF42-72Q	DL420(A), DL420(A)-7M	270501-00012	QC	1,715	600 ~ 2,160	2,260	200	1,300	2,085	72
WPF42-95Q	DL420(A), DL420(A)-7M	270505-00006	QC	1,980	600 ~ 2,160	2,260	200	1,300	2,770	95
WPF42-96Q	DL420(A), DL420(A)-7M	270505-00004	QC	1,800	490 ~ 2,290	2,400	200	1,203	2,839	96
WPF45-60Q	DL450	270501-00008	QC	1,710	600 ~ 2,160	2,260	200	1,300	2,170	60
WPF45-60	DL450	270501-00022	DM	2,070	600 ~ 2,160	2,260	200	1,205	2,230	60
WPF45-72	DL450	270501-00027	DM	2,150	600 ~ 2,160	2,260	200	1,205	2,530	72
WPF45-72Q	DL450	270501-00013	QC	1,715	600 ~ 2,160	2,260	200	1,300	2,085	72
WPF55-60Q	DL550, DL550-5, DL580-5	270501-00009	QC	1,780	600 ~ 2,160	2,260	200	1,295	2,005	60
WPF55-60	DL550, DL550-5, DL580-5	270501-00023	DM	2,070	600 ~ 2,160	2,260	200	1205	2230	60
WPF55BH-60	DL550, DL550-5, DL580-5	270505-00009	DM	1,750	600 ~ 2,160	1,660	300	1,240	1,860	60
WPF55-72	DL550, DL550-5, DL580-5	270501-00028	DM	2,150	600 ~ 2,160	2,260	200	1,205	2,530	72
WPF55-72Q	DL550, DL550-5, DL580-5	270501-00014	QC	1,860	600 ~ 2,160	2,260	200	1,295	2,305	72
WPF55BH-60	DL550BH	270505-00001	QC	1,750	Fixed	1,660	300	1,240	1,860	60

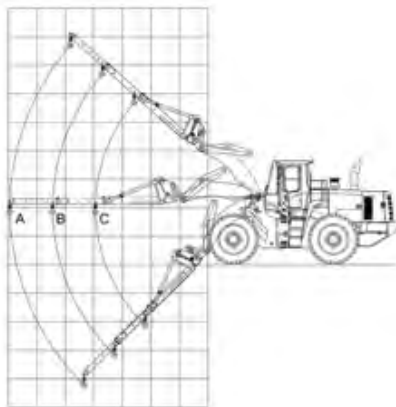
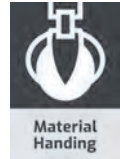


DL-MODEL

Material Handling Attachment

WMH Series Material handling Arm

WMH Series is designed to pick up, transport and handle a large variety of materials.



FEATURE & BENEFITS

- Adjustable two telescopic sections.
- Built-in mechanical stops to prevent overextension.

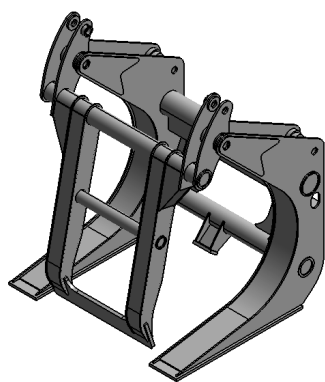
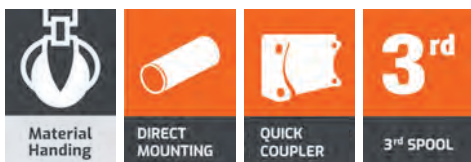
TECHNICAL SPECIFICATIONS

Model	Apply Machine	Part No.	Mount type	Weight (kg)	Load [kg] / Reach [m] A	Load [kg] / Reach [m] B	Load [kg] Reach [m] C
WMH25Q	DL250(A) DL250(A)-7M	230203-00434	QC	610	1,000 / 5.7	1,400 / 4.6	2,000 / 3.5
WMH30Q	DL300(A) DL320(A)-7M	270604-00004	QC	610	1,400 / 5.8	2,000 / 4.6	3000 / 3.6
WMH42Q	DL420(A) DL420(A)-7M	270604-00001	QC	800	1,500 / 6.9	2,500 / 5.4	3,500 / 3.9
WMH55Q	DL550 DL550-5 DL580-5	270604-00005	QC	800	1800 / 7.3	3,000 / 5.8	4000 / 4.3

Material Handling Attachment

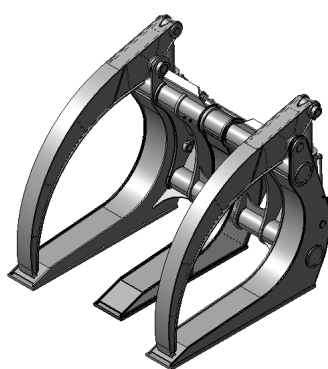
WLG Series Grapple

WLG Series is provided 3 different types for efficient handling and sorting materials.



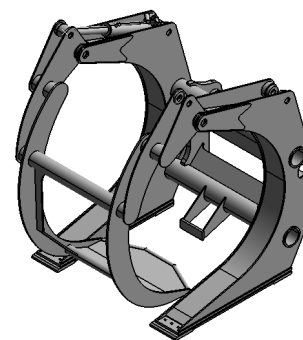
GENERAL PURPOSE TYPE

General purpose grappies is an all-round grapple for handling and sorting entire trees or for grabbing single stem.



TROPICAL TYPE

Tropical timber grapples are very wide with two separate clamping arms to hold large, heavy items securely, principally intended for handling large diameter and high density tropical type timbers.



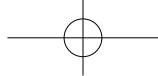
SORTING TYPE

Sorting type grapple has relatively long and straight tines so the grapple can be easily filled when loading from stacks or sorting bunkers.

FEATURE & BENEFITS

- Jumper hose kit included to connect loader QC lines to coupler
- High strength steel is used throughout the unit
- Open design provides maximum visibility
- Visual locking indicators.
- Safty check valve

* **REQUIREMENT** : 3rd Spool option is mandatory

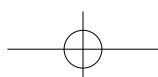


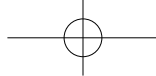
Wheel Loader Attachments (SD)

• EXCAVATION

• CONNECTION

• METEIRAL HANDLING

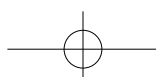




DEVELON



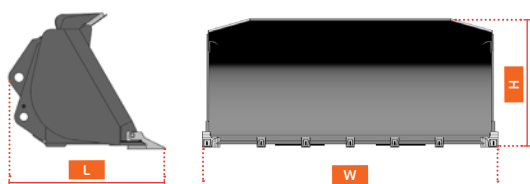
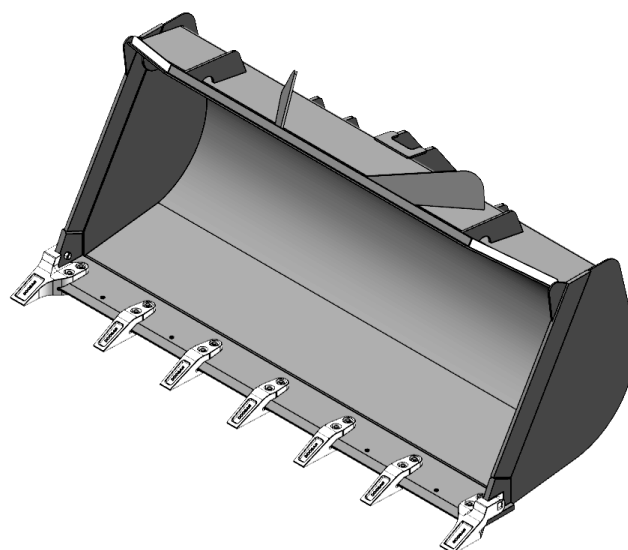
DEVELON's portfolio of attachments is designed to work in all types of working application. The new range of DEVELON attachments which is offered, is developed based on customer's requirements based on customer's requirements and satisfaction criteria through worldwide market feedback. Develon attachments line-up consists of Excavation, Connection and Material handling.



Excavation Attachment

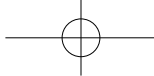
WGP Series General Purpose

Develon General Purpose bucket is designed for general excavating & loading of natural ground and construction materials.



TECHNICAL SPECIFICATIONS

Model	Apply Machine	Parts no.	Mount Type	Weight [kg]	Capacity [m ³]	Width W [mm]	Length L [mm]	Height H [mm]	GET Type
WGP20-2500	SD200 SD200-3	230104-00016R	DM	740.4	1.7	2,496	1,213	1,069	Tooth(Mono)
WGP20-2500		230104-02642C	DM	806.8	1.8	2,496	1,235	1,108	Tooth(Mono)
WGP20-2500		230104-01678E	DM	806.8	1.9	2,506	1,309	1,108	Tooth(Mono)
WGP20-2500Q		230104-01961B	QC	737	1.9	2,496	1,228	1,069	Tooth(Mono)
WGP20-2500		230104-02156E	DM	787	1.9	2,486	1,123	1,074	Cutting Edge
WGP20-2500		230104-00740H	DM	808	2.2	2,506	1,240	1,135	Cutting Edge
WGP20-2500		230104-01943C	DM	1,026	3.0	2,506	1,440	1,361	Cutting Edge
WGP30-3000	SD300 SD300-2 SD310	230104-03663A	DM	1,222	2.7	2,992	1,446	1,303	Tooth(Mono)
WGP30-3000		230104-03667A	DM	1,307	2.7	2,980	1,534	1,308	Tooth & Adapter
WGP30-3000Q		230104-02152C	QC	1,245	2.7	2,992	1,446	1,303	Tooth(Mono)
WGP30-3000		230104-03672A	DM	1,341	2.9	2,944	1,396	1,303	Cutting Edge
WGP30-3000		230104-01960E	QC	1,354	2.9	2,944	1,340	1,303	Cutting Edge
WGP30-3000		230104-03665A	DM	1,267	3.0	2,992	1,442	1,372	Tooth(Mono)
WGP30-3000Q		230104-02161C	QC	1,270	3.0	2,992	1,444	1,372	Tooth(Mono)
WGP30-3000		230104-03694A	DM	1,289	3.0	2,992	1,502	1,372	Tooth(Mono)
WGP30-3000		230104-01814C	DM	1,300	3.1	2,992	1,522	1,441	Tooth(Mono)
WGP30-3000		230104-03673A	DM	1,613	3.0	2,998	1,531	1,378	Tooth & Adapter
WGP30-3000Q		230104-02204B	QC	1,383	3.0	2,998	1,492	1,378	Tooth & Adapter
WGP30-3000		230104-03670A	DM	1,381	3.2	2,944	1,396	1,374	Cutting Edge
WGP30-3000		230104-01816B	DM	1,408	3.3	2,944	1,416	1,441	Cutting Edge
WGP30-3000		230104-03696A	DM	1,473	3.5	3,000	1,396	1,410	Cutting Edge
WGP30-3000		230104-03682A	DM	1,435	4.0	3,092	1,400	1,432	Cutting Edge
WGP30-3000	230104-01924C	DM	1,615	4.2	3,076	1,587	1,392	Cutting Edge	
WGP30-3200	230104-01941C	DM	1,730	5.0	3,200	1,681	1,636	Cutting Edge	
WGP35-3000	SD350 SD350-2 SD380 SD380-2	230104-03723	DM	1,434	3.5	3,036	1,582	1,409	Tooth(Mono)
WGP35-3000Q		230104-04295A	QC	1,225	3.5	3,048	1,558	1,390	Tooth(Mono)
WGP35-3000		230104-02859G	DM	1,534	3.7	3,036	1,476	1,408	Cutting Edge
WGP35-3000		230104-02994E	DM	1,654	4.2	3,076	1,591	1,460	Cutting Edge
WGP35-3200		230104-03010G	DM	1,570	5.0	3,200	1,616	1,549	Cutting Edge

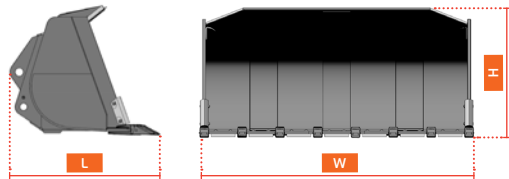
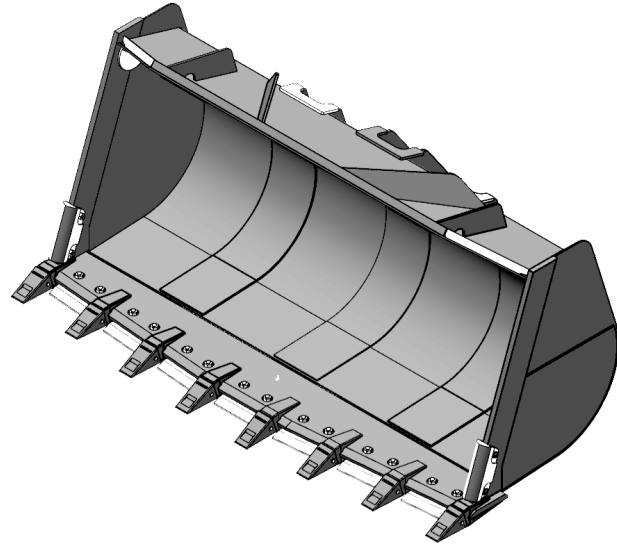
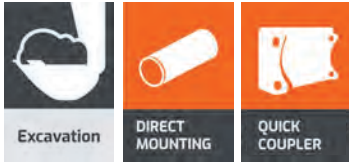


SD-MODEL

Excavation Attachment

WVR Series Rock Bucket

Develon WVR Series is designed for digging and loading for hard material mound of blasted & crushed rock and advantage of mazimum breakout force and durability



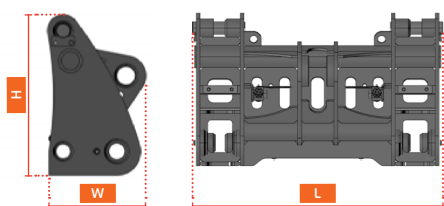
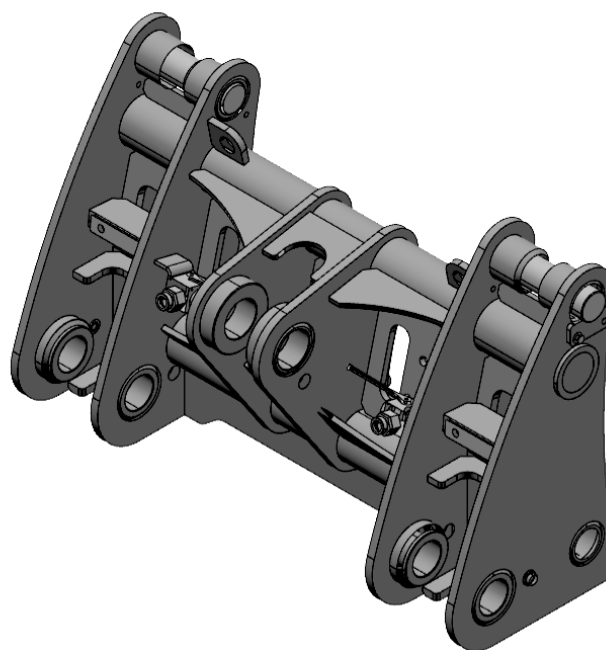
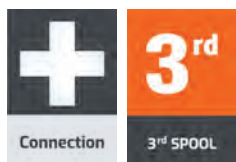
TECHNICAL SPECIFICATIONS

Model	Apply Model	Parts no.	Mount Type	Capacity (m ³)	Weight (kg)	Width w (mm)	Length L (mm)	Height H (mm)	GET Type	Notes
WVR30-3000	SD300 SD300-2 SD300-3	230104-03532A	DM	2.7	1,613	2,978	1,840	1,307	Tooth & Adapter	V-Shape
WVR35-3000	SD350 SD350-2 SD380 SD380-2	230104-02760E	DM	3.2	1,791	2,904	1,557	1,400	Tooth & Adapter	V-Shape

Connection Attachment

WQC Series Quick Coupler

Develon WQC Series is designed for quick and safe change attachments in seconds without leaving the cab.



FEATURE & BENEFITS

- Jumper hose kit included to connect loader QC lines to coupler
- High strength steel is used throughout the unit
- Open design provides maximum visibility

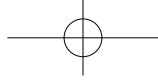
* **REQUIREMENT** : 3rd Spool option is mandatory

TECHNICAL SPECIFICATIONS

Model	Apply Machine	Part No.	Weight [kg]	Overall Length L(mm)	Overall Width W(mm)	Overall Height H(mm)	Safety Check Valve	Accessories		
								*Jumping Hose	Parts book	Op manual
WQC20	SD200 SD200-3	270201-00003C	330	1,106	380	665	X	O	X	X
WQC30	SD300, SD300-2 SD310, SD300-2 SD300-3	270201-00004A	510	1,310	460	800	X	O	X	X
WQC35	SD350, SD350-2 SD380, SD380-2	270201-00061	532	1,380	500	805	X	O	X	X

* Notes

- Jumping Hose : Hoses from Arm end to QC

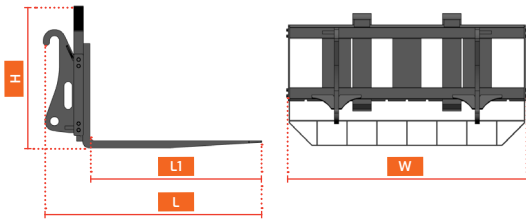
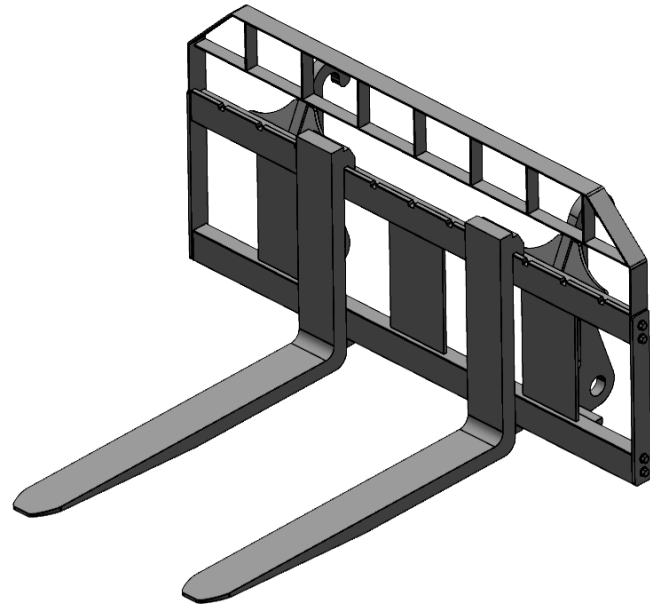
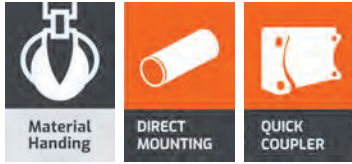


SD-MODEL

Material Handling Attachment

WPF Series Pallet Fork

Develon WPF Series is designed to move pallets or other materials such as pipes, steel frames, concrete blocks and so on.



FEATURE & BENEFITS

- Maximum visibility to increase work efficiency.
- Customizable Fork length
- Manual Adjustable Tines

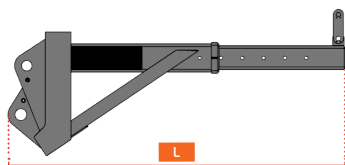
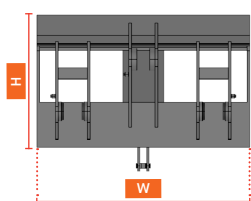
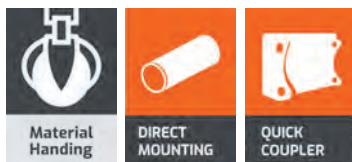
TECHNICAL SPECIFICATIONS

Model	Apply Model	Part No.	Mount Type	Weight (kg)	Operating Width (mm)	Width W (mm)	Width W1 (mm)	Height H (mm)	Length L (mm)	Length L1 (inch)
WPF20Q	SD200, SD200-3	230106-00352A	QC	290	260-1475	1,585	125	881	1,360	1,070
WPF20Q	SD200, SD200-3	230106-00909	QC	300	260-1475	1,585	125	881	1,510	1,220
WPF20	SD200, SD200-3	230106-00340A	DM	290	260-1475	1,585	125	881	1,426	1,070
WPF30Q	SD300, SD300-2 SD310	230106-00353A	QC	580	310-1750	1,892	150	1,097	2,189	1,780
WPF30	SD300, SD300-2 SD310	230106-00341A	DM	580	310-1750	1,892	150	1,097	2,282	1,780
WPF35	SD350, SD350-2 SD380-2	230106-00697	DM	580	310-1750	1,900	150	1,117	2,301	1,780

Connection Attachment

WMH Series Material handling Arm

WMH Series is designed to pick up, transport and handle a large variety of materials.



FEATURE & BENEFITS

- Adjustable telescopic sections.
- Built-in mechanical stops to prevent overextension

TECHNICAL SPECIFICATIONS

Model	Apply Machine	Part No.	Mount type	Weight [kg]	Length L [mm]	Width W [mm]	Height H [mm]	Max Load [kg]
WMH20	SD200 SD200-3	230101-00777	DM	520	2,610	1,540	950	3,000
WMH20Q	SD200 SD200-3	230101-00778	QC	520	2,591	1,540	950	3,000
WMH30	SD300 SD300-2 SD310 DL300A-2	230101-00768	DM	540	2,581	1,540	932	5,000
WMH30Q	SD300 SD300-2 SD310 DL300A-2	230101-00769	QC	540	2,515	1,540	1,028	5,000

